

Duo-Chek® II

High Performance Check Valves

CRANE
THE VALVE EXPERTS

Duo-Chek II – The High Performance Check Valve

Duo-Chek II high performance check valves are the original Mission wafer check valves introduced to the market in the late 50's. They are available in the sizes, pressure classes and configurations you need to meet the most demanding of applications. Our product range includes, but is not limited to,

- Sizes: 2" to 72"
- ASME Pressure Class 125 through 2500
- API 6A and 6D pressure classes
- DIN, JIS, BS, AS, and ISO standards are also available.
- Wafer, lug, double flanged and extended body styles
- Configurations available in retainerless style.

- Body Materials:
Cast Iron, Ductile Iron, WCB Cast Steel, 316 Stainless Steel. All alloys.
- Resilient Seat Materials:
EPDM, Buna-N, Neoprene, Refrigeration-grade elastomer, Viton
- Integral and overlaid metal seats also available
- End Connections:
Raised Face, Plain Face, Ring Joint, Weld-End, Hub-End.

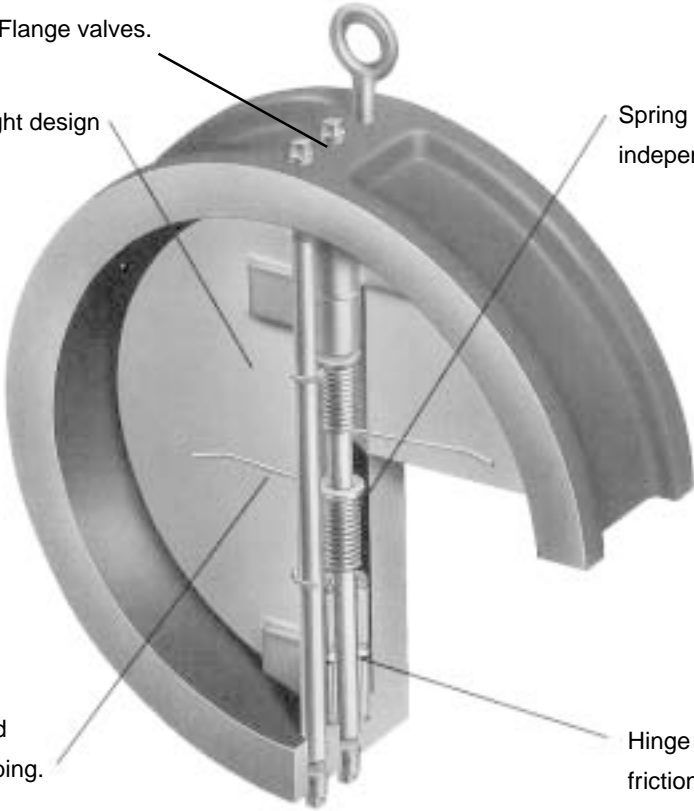
Retainerless valves for critical applications without pin retainer penetration through the body are available in Wafer and are standard in Lug and Double Flange valves.

Dual plate lightweight design for efficient seating and operation

Spring action closes plates independently. (6" and larger)

Long-leg spring action allows plates to open and close without seat scrubbing.

Hinge support sleeve reduces friction and minimizes water hammer through independent plate suspension (on larger sizes).



Industry Standards*	
API 594	Valve Design
API 598	Valve Pressure Testing & Inspection
ASME B16.5 & B16.47	Flanges
ASME B16.34	Pressure / Temperature Ratings
API 6D	Pipeline Valves
API 6A	Production Valves

*Duo-Chek II meets or exceeds these industry standards.



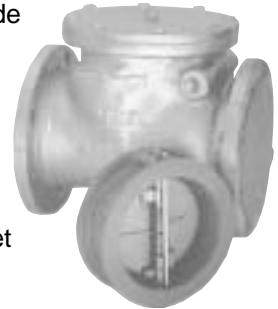
Features and Benefits

Features	Benefits
Lightweight and Compact Wafer Design	Installs between mating flanges with 10 to 20% the weight of flanged swing checks in popular sizes - Saves money in initial valve cost and provides lower installation cost.
Dual Plate, Flat Seat Design	Plate heel is lifted first by design to prevent seat wear. Employs two spring-loaded plates with flat seats - Gives superior performance and bubble-tight shutoff with resilient seats.
Independent Spring Action	Maximum deflection of 140°, provides improved valve response and longer life - Saves money with longer valve life and improved system performance by reducing water hammer.
Independent Plate Suspension with Unique Hinge Design (larger sizes)	Improves valve response and reduces friction forces by 66% - Further assurances for better performance with faster valve response.
Simple, External Body Geometry	Configuration simplifies valve insulation - Saves money.
Variety of Body Designs Available - Lug and Double Flange	Provides options to suit application needs - Eases your selection process by utilizing the industry leader as your single source.
Wide Variety of Materials	Versatility for many services - Satisfies more application needs.
Flexibility in Installation Position	Provides more rigidity than pipe, eliminating concerns of pipe bending loads of flanged valves - Safety against thermal or seismic catastrophes.
Body Strength and Rigidity	Some sizes suitable for horizontal or vertical up positions - Simplifies piping design, eliminates constraints that swing checks create.
Retainerless Duo-Chek Design Eliminates Tapped Holes in Body	For critical service applications, prevents possible escape of unwanted and/or hazardous materials to atmosphere - Safety in critical services eliminates and/or environmental concerns. Standards in Lug and Double Flange Designs.
Vertical Hinged Design	In horizontal position flow allows plates to function freely and full open under lower flow conditions as compared to swing check - Reduces pressure loss, improves dynamic response and eliminates valve chatter.
Special Valves Meet Market Needs: <ul style="list-style-type: none"> • UL/FM Listed • Rubber or Urethane Lined • Hub Ends (Grayloc®) • Weld Ends 	Wide size range, pressure range and added options allow further market needs to be met - Reliance on world's largest wafer check line to supply more needs.

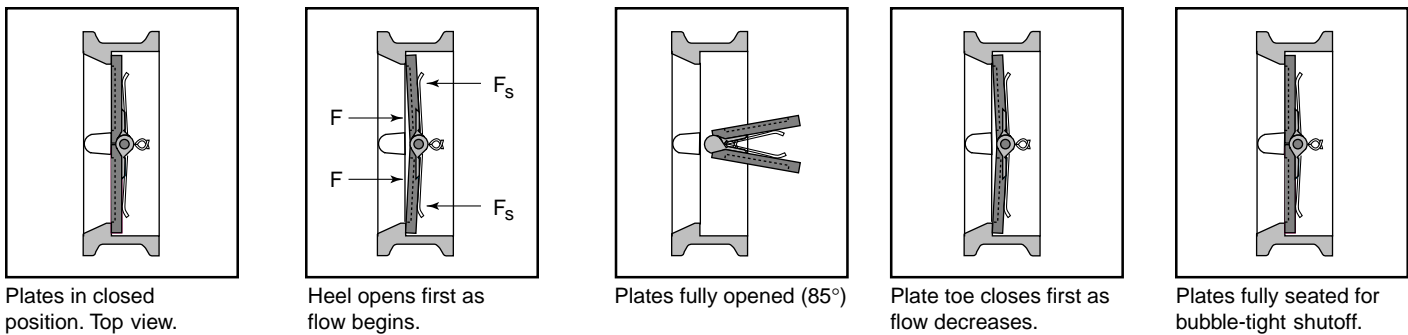
Specify the Duo-Chek II ...to your advantage

Leading engineering specifiers specify the Duo-Chek II for check valve applications because it provides high performance. Extensive research and testing with demonstrated performance has earned worldwide recognition, unmatched in the industry.

The Duo-Chek II wafer valve design is generally stronger, lighter, smaller, more efficient and less expensive than conventional swing check valves. Its design meets API 594 which is approximately one fourth the face to face dimension and 15% to 20% the weight, on most popular sizes, making them less expensive than a swing check valve. It is much easier to install between standard gaskets and line flanges. The savings compound during installation due to ease of handling and only one set of flange studs is required. Therefore, it is more cost effective to install, and also to maintain.



The Duo-Chek II also offers special design features that make it a high performance non-slam check valve. These include a scrub-free opening, and in most sizes a unique independent spring design as well as an independent plate support system. These features may not be found in other check valves. Other configurations offered include lug, double flange and extended body.

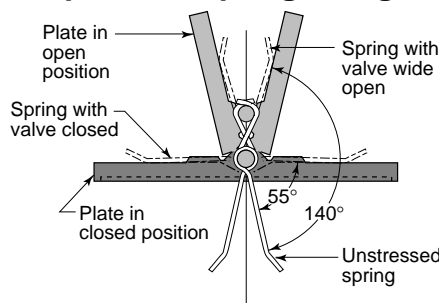


The innovative dual-plate design of the Duo-Chek II employs two spring-loaded plates (disc halves) suspended on a central vertical hinge pin. As flow begins, the plates open in response to a resultant force (F) which acts as the center of the sealed surface area. The contact point of the reacting spring leg's force (Fs) acts beyond the center of the plate area, causing the heel to open first. This prevents rubbing of the seal surface prior to normal plate opening, eliminating wear.

As the velocity of flow decreases, torsion spring action reacts automatically. This moves the plates closer to the body seats, reducing the distance and time of travel for closure. By having the plates closer to the body seats at the time of flow reversal, the valve dynamic response is greatly accelerated. This dramatically reduces the water hammer effect for non-slam performance.

At closing, the point of spring force causes the toe of the plates to close first. This prevents dragging of the heels of the plates and maintains seal integrity for much longer periods.

Independent Spring Design



A spring design of the Duo-Chek II (sizes 6" and larger) allows higher torque to be exerted against each plate with independent closing in response to the process stream. Testing has proved this action provides up to 25% improvement

in valve life and 50% reduction in water hammer.

Each of the dual plates has its own spring or springs, which provide independent closing action. These independent springs undergo less angular deflection, only 140° as compared to 350° for conventional springs with two legs.

Independent Plate Suspension Design

The Duo-Chek II unique hinge design reduces friction forces by 66%, which improves valve response significantly. Support sleeves are inserted through the outboard hinges so that the upper hinge is independently supported by the lower sleeve during valve operation. This allows both plates to close at the same time for quick response, and excellent dynamic performance.



Duo-Chek® II Valves

Applications

A wide variety of body designs, materials, and trim make Duo-Chek II valves exceptionally versatile and suitable for a multitude of liquid and gas fluid applications.

Some of the major markets and typical applications are depicted here.



Petroleum Refining

- Hydrogen
- Cracking
- Steam
- Crude Oil
- Gasoline
- Visbreakers
- Naptha
- Sulfur

Oil and Gas Production

- Centrifugal Compressor Discharge
- Fire Water Lines
- Oil/Steam Separation
- Steam and CO² Injection
- Gas/Oil Gathering Systems
- Flowlines
- Wellheads

Petrochemicals

- Ethylene
- Propylene
- Steam
- Reboilers
- Gases

Chemicals

- Chlorine
- Phosgene
- Aromatics
- Polymers
- Acids
- Air Separation
- Caustics

Power Generation

- Steam
- Condensate
- Boiler Feed Pumps
- Cooling Towers
- Service Water Recirculators
- River Water Intake

Steel/Primary Metals

- Quench Lines
- De-Scaling
- Continuous Casters
- Steam
- Condensate
- Strippers
- Electro-Galvanizing



Applications



Marine
Oil Tankers
Tanker Loading Terminals
Offshore Platforms
Sub-Sea Manifolds
Terminal Transfer Lines
Barge Unloading Lines
Shipboard Services

Pulp and Paper
Bleaching Lines
Black Liquor
Green Liquor
White Water
Steam
Chemical Recovery

Water and Wastewater
Distribution Lines
Pumping Stations
Sewage Plant Blower Discharge
Chemical Treatment
Fire Protection Systems
HVAC Systems



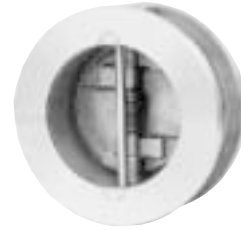
Valve Configurations

Style H

Retainerless Wafer

Sizes 2" – 72"

- ASME Classes 150 – 2500
- Dimensions pages 9–10



Retainerless Wafer Double Flange Valves

Sizes 2" – 72"

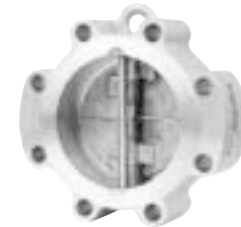
- ASME Classes 150 – 900
- Sizes & Dimensions page 11



Retainerless Wafer Lug Valves

Sizes 2" – 72"

- ASME Classes 150 – 2500
- Sizes & Dimensions page 12

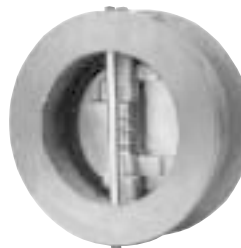


Style G

Wafer

Sizes 2" – 72"

- ASME Classes 125 – 2500
- Wafer Design
- Dimensions pages 9–10



Style X

Extended Body Wafer

Sizes 6" – 54"

- ASME Classes 150 – 2500
- Designed for extremely fast opening conditions
- Sizes & Dimensions page 17



Series 800

Lined

Sizes 2" – 24"

- 150 PSI Pressure Rating
- Fully Lined Valve
- Dimensions page 20



Style H[†] Retainerless Wafer Check Valves

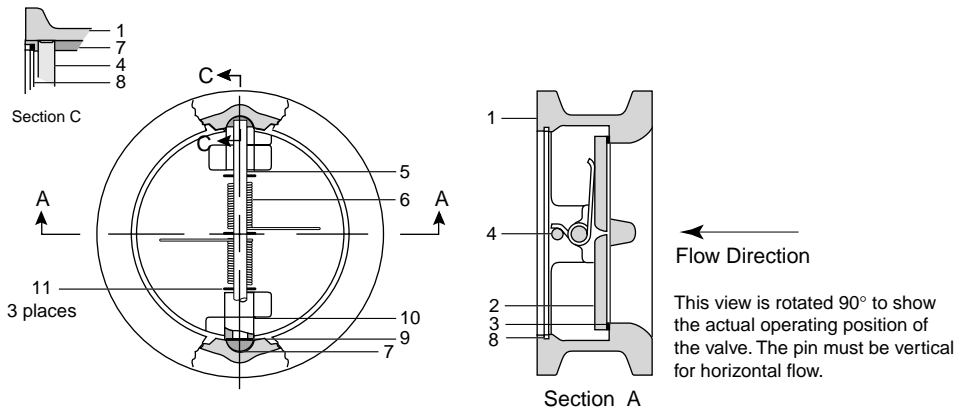
High Performance Check Valve for Critical Applications



For critical applications, Style H retainerless Duo-Chek valves feature a one-piece body with no pin retainer penetration through the body.

These high performance valves utilize the same internal design of other Duo-Chek II valves with all the unique features and advantages built into them.

Item No.	Part No.
1	Body
2	Plate
3	Seal
4	Stop Pin
5	Hinge Pin
6	Spring*
7	Pin Insert
8	Snap Ring
9	Body Bearing
10	Plate Bearing
11	Spring Bearing



* Independent spring in valve sizes 6" and larger.

Because Retainerless Duo-Chek II valves have no body penetrations potential leak paths through the valve are eliminated. This makes the Retainerless Duo-Chek II ideally suited to meet the following critical service applications:

- Hydrocarbon processing
- Chemical processing
- Any industry concerned with fire hazards or environmental safety

Key features of the Duo-Chek Style H wafer check valve include:

- A wide selection of body and plate materials
- A choice of metal-to-metal or resilient sealing

- A full range of pressure classes and sizes
- A variety of end connections
- Designs available in ANSI, API, BS and DIN pressure ratings
- Internals easily removed for field replacement under normal inspections and maintenance procedures

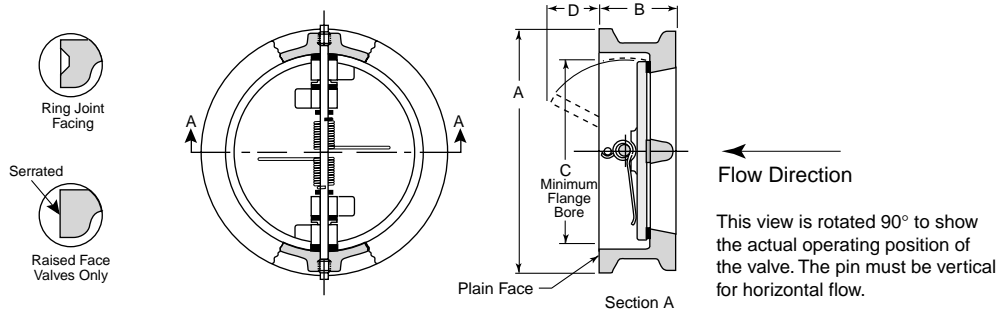
The advanced design of the Duo-Chek provides many operational benefits to the user, which combined with its more compact size and lower weight, make the Duo-Chek Style H an excellent alternative to a standard swing check valve.

Remarkable advantages include:

- Independent spring action (on 6" and larger) and plate suspension on larger valves
- Free release flat seats
- Springs provide superior response to flow reversal or deceleration
- Minimal water hammer
- Savings in purchase price and installation costs compared to a conventional swing check valve
- Single body design with no body cartridge

[†] Installation dimensions for these valves are as shown on pages 9–10.

Style G Installation Dimensions



Style G wafer style body valves are designed with flangeless bodies with relatively short face-to-face dimensions. They are clamped between mating flanges which are connected by studs and nuts.

ASME Class 125 (Cast Iron valves only)

Size	A		B		C		D		Weight		
	in	mm	in	mm	in	mm	in	mm	lbs.	kg.	
2"	50	4 1/8	105	2 1/8	54	2 1/16	52	-	-	4	1.8
2 1/2"	65	4 7/8	124	2 1/8	54	2 15/32	63	-	-	6	2.7
3"	80	5 3/8	137	2 1/4	57	3 1/16	78	5/8	16	7	3.2
4"	100	6 7/8	175	2 1/2	64	4	102	1	25	12	5.4
5"	125	7 3/4	197	2 3/4	70	5	127	1 5/16	33	15	6.8
6"	150	8 3/4	222	3	76	6 1/16	154	1 15/16	35	20	9
8"	200	11	279	3 3/4	95	8	203	3 7/16	54	40	18
10"	250	13 3/8	340	4 1/4	108	10	254	3 3/8	70	65	29
12"	300	16 1/8	410	5 5/8	143	11 15/16	303	3 7/16	83	110	50
14"	350	17 3/4	451	7 1/4	184	12 1/2	318	3 1/16	83	183	83
16"	400	20 1/4	514	7 1/2	191	15	381	4 1/4	113	255	116
18"	450	21 5/8	549	8	203	16 7/8	429	5 3/8	137	315	143
20"	500	23 7/8	606	8 3/8	213	18 13/16	478	6 3/16	160	380	172
24"	600	28 1/4	718	8 3/4	222	22 5/8	575	8 1/4	210	575	261
30"	750	34 3/4	883	12	305	29 1/4	743	9 9/16	229	1070	486
36"	900	41 1/4	1048	14 1/2	368	35	889	12 5/16	303	1962	890
42"	1050	48	1219	17	432	41	1041	15	381	2800	1270
48"	1200	54 1/2	1384	20 5/8	524	47	1194	16 3/4	425	3920	1178
54"	1350	61	1549	21 1/4	540	51 1/2	1308	19 3/4	502	6172	2800
60"	1500	67 1/2	1715	26	660	56	1422	-	-	7800	3538
66"	1650	74 1/4	1886	31	787	65 1/4	1657	-	-	12000	5443
72"	1800	80 3/4	2051	36	914	68	1727	-	-	14000	6350

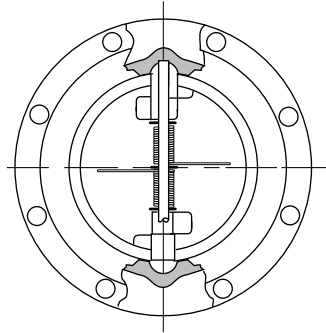
ASME Class 150

Size	A		B		C		D		Weight		
	in	mm	in	mm	in	mm	in	mm	lbs.	kg.	
2"	50	4 1/8	105	2 3/8	60	1 15/16	49	-	-	6	3
2 1/2"	65	4 7/8	124	2 5/8	67	2 11/32	60	-	-	10	5
3"	80	5 3/8	137	2 7/8	73	2 29/32	74	1/4	6	13	6
4"	100	6 7/8	175	2 7/8	73	3 53/64	97	5/8	16	17	8
5"	125	7 3/4	197	3 3/8	86	4 13/16	122	7/8	22	27	12
6"	150	8 3/4	222	3 7/8	98	5 49/64	146	1 3/8	35	35	16
8"	200	11	279	5	127	7 5/8	194	2 1/8	54	70	32
10"	250	13 3/8	340	5 3/4	146	9 9/16	243	2 3/4	70	106	48
12"	300	16 1/8	410	7 1/8	181	11 3/8	289	3 1/4	83	172	78
14"	350	17 3/4	451	7 1/4	184	12 1/2	318	3 1/4	83	200	91
16"	400	20 1/4	514	7 1/2	191	15	381	4 7/16	113	275	125
18"	450	21 5/8	549	8	203	16 7/8	429	5 3/8	137	315	143
20"	500	23 7/8	606	8 5/8	219	18 13/16	478	6 5/16	160	435	197
24"	600	28 1/4	718	8 3/4	222	22 5/8	575	8 1/4	210	620	281
26"	650	30 1/2	775	14	356	24 1/4	616	8	203	1555	705
30"	750	34 3/4	883	12	305	29 1/4	743	9	229	1230	558
36"	900	41 1/4	1048	14 1/2	368	35	889	11 15/16	303	2017	915
42"	1050	48	1219	17	432	41	1041	15	381	2800	1270
48"	1200	54 1/2	1384	20 5/8	524	47	1194	16 3/4	425	3920	1178
54"	1350	61	1549	21 1/4	540	51 1/2	1308	19 3/4	502	6172	2800
60"	1500	67 1/2	1715	26	660	56	1422	-	-	7800	3538
66"	1650	74 1/4	1886	31	787	65 1/4	1657	-	-	12000	5443
72"	1800	80 3/4	2051	36	914	68	1727	-	-	14000	6350

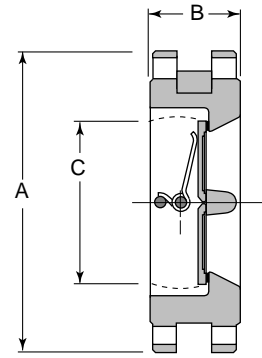
Duo-Cheks are available in accordance with DIN, BS, JIS, AS and ISO Dimensions. For other sizes and pressure classes contact factory.

Style H Double Flange Retainerless Valve Design

Double Flanged Style Valves bolt up similar to a bolted cap swing check or gate valve. Double flanged versions are offered as standard on larger size valves where the lay length of the body permits installation of two heavy nuts between the flanges. These valves are standard retainerless design.



Pin must be vertical for horizontal flow.



Flow Direction

ASME Class 150

Size		A		B		C		Weight	
in	mm	in	mm	in	mm	in	mm	lbs.	kg.
8"	200	13 1/2	343	5	127	7 5/8	194	93	42
10"	250	16	406	5 3/4	146	9 9/16	243	189	86
12"	300	19	483	7 1/8	181	11 3/8	289	218	99
14"	350	21	533	7 1/4	184	12 1/2	318	274	124
16"	400	23 1/2	597	7 1/2	191	15	381	353	160
18"	450	25	635	8	203	16 7/8	428	409	185
20"	500	27 1/2	699	8 5/8	219	18 1/8	480	552	250
24"	600	32	813	8 3/4	222	22 5/8	575	860	389
30"	750	38 3/4	984	12	305	29 1/4	743	1512	687
36"	900	46	1168	14 1/2	368	35	889	2525	1145
42"	1050	53	1346	17	432	41	1041	4163	1888
48"	1200	59 1/2	1511	20 5/8	524	47	1194	5880	2667
54"	1350	66 1/4	1683	21 1/4	539	51 1/2	1308	-	-
60"	1500	73	1854	26	660	56	1422	-	-
66"	1650	80	2032	31	787	62 1/2	1588	-	-
72"	1800	86 1/2	2197	36	914	68	1727	-	-

ASME Class 300

Size		A		B		C		Weight	
in	mm	in	mm	in	mm	in	mm	lbs.	kg.
12"	300	20 1/2	521	7 1/8	181	11 3/8	289	336	152
14"	350	23	584	8 3/4	222	12 1/2	318	431	195
16"	400	25 1/2	648	9 1/8	232	14 3/8	365	619	280
18"	450	28	711	10 3/8	264	16 1/8	409	850	385
20"	500	30 1/2	775	11 1/2	292	17 7/8	454	1078	488
24"	600	36	914	12 1/2	318	22 1/8	562	1516	686
30"	750	43	1092	14 1/2	368	28 3/4	730	3100	1406
36"	900	50	1270	19	483	35	864	4650	2109
42"	1050	50 3/4	1289	22 3/8	568	41	1041	8670	3932
48"	1200	57 3/4	1467	24 3/4	629	47	1193	9950	4513
54"	1350	65 1/4	1657	27 1/4	692	51 1/2	1308	-	-
60"	1500	73	1854	32 1/2	826	56	1422	-	-

ASME Class 600

Size		A		B		C		Weight	
in	mm	in	mm	in	mm	in	mm	lbs.	kg.
12"	300	22	559	9	229	11 3/8	289	612	277
14"	350	23 3/4	603	10 3/4	273	12 1/2	318	682	309
16"	400	27	685	12	305	14 3/8	365	951	430
18"	450	29 1/4	743	14 1/4	362	16 1/8	409	1221	553
20"	500	32	813	14 1/2	368	18	457	1606	728
24"	600	37	940	17 1/2	445	21 9/16	548	2451	1111
30"	750	44 1/2	1130	19 7/8	505	28 3/4	730	3825	1735
36"	900	51 3/4	1314	25	635	33 3/4	857	6057	2747
42"	1050	55 1/4	1403	27 5/8	702	39 1/2	1003	9985	4529
48"	1200	62 3/4	1594	31	787	36	914	12600	5715

ASME Class 900

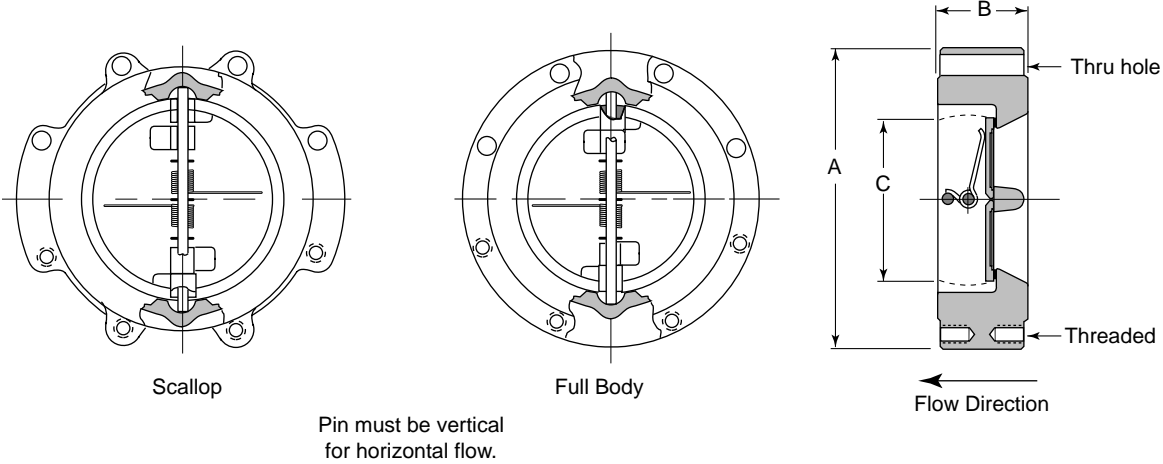
Size		A		B		C		Weight	
in	mm	in	mm	in	mm	in	mm	lbs.	kg.
12"	300	24	610	11 1/2	292	10 1/8	257	770	349
14"	350	25 1/4	641	14	356	11 1/2	292	1240	561
16"	400	27 3/4	705	15 1/8	384	12 7/8	327	1210	548
18"	450	31	787	17 3/4	451	14 1/2	368	1845	835
20"	500	33 3/4	857	17 3/4	451	18	457	3940	1787
24"	600	41	1041	19 1/2	495	21 1/2	546	4175	1893
30"	750	48 1/2	1222	25	635	26	660	6500	2948
36"	900	57 1/2	1461	28	711	31	787	-	-
42"	1050	61 1/2	1562	31 1/2	800	36	914	-	-

Notes:

- Sizes not available in double flange design are offered as lug body design, see page 12.
- Please consult factory for other sizes and pressure classes available.
- Weights are for valves only, consult factory for weights not shown.
- Other dimensions same as wafer design, pages 9–10.

Style H Lug Retainerless Valve Design

Lug Style valves cover the bolting the entire length of the body. Lug valves are furnished in scallop and full body designs. Scallop is furnished whenever possible to keep weight to a minimum. These valves are standard retainerless design. Lug valves can be specified with threaded or thru-hole bolting.



ASME Class 150

Size		A		B		C		Weight	
in	mm	in	mm	in	mm	in	mm	lbs.	kg.
2"	60	6 1/2	165	2 3/8	60	1 15/16	49	17	8
2 1/2"	65	7 1/2	191	2 5/8	67	2 11/32	60	17	8
3"	80	8 1/4	210	2 7/8	73	2 29/32	74	17	8
4"	100	9	229	2 7/8	73	3 53/64	97	28	13
5"	125	10	254	3 3/8	86	4 13/16	122	36	16
6"	150	11	279	3 7/8	98	5 49/64	146	48	22

ASME Class 900

Size		A		B		C		Weight	
in	mm	in	mm	in	mm	in	mm	lbs.	kg.
2"	50	8 1/2	216	2 3/4	70	1 11/16	43	37	17
3"	80	9 1/2	241	3 1/4	83	2 5/8	67	57	26
4"	100	11 1/2	292	4	102	3 7/16	87	98	45
6"	150	15	381	6 1/4	159	5 3/16	132	252	114
8"	200	18 1/2	470	8 1/8	206	6 13/16	173	441	200
10"	250	21 1/2	546	9 1/2	241	8 1/2	216	787	357

ASME Class 300

Size		A		B		C		Weight	
in	mm	in	mm	in	mm	in	mm	lbs.	kg.
2"	50	6 1/2	165	2 3/8	60	1 15/16	49	18	8
2 1/2"	65	7 1/2	191	2 5/8	67	2 11/32	60	22	10
3"	80	8 1/4	210	2 7/8	73	2 29/32	74	30	14
4"	100	10	254	2 7/8	73	3 53/64	97	36	16
5"	125	11	279	3 3/8	86	4 13/16	122	51	23
6"	150	12 1/2	318	3 7/8	98	5 49/64	146	84	38
8"	200	15	381	5	127	7 5/8	194	135	61
10"	250	17 1/2	445	5 3/4	146	9 9/16	243	270	123

ASME Class 1500

Size		A		B		C		Weight	
in	mm	in	mm	in	mm	in	mm	lbs.	kg.
2"	60	8 1/2	216	2 3/4	70	1 11/16	43	37	17
3"	80	10 1/2	267	3 1/4	83	2 5/8	67	70	32
4"	100	12 1/4	311	4	102	3 7/16	87	112	51
6"	150	15 1/2	394	6 1/4	159	5 3/16	132	262	119
8"	200	19	483	8 1/8	206	6 13/16	173	488	221
10"	250	23	584	9 3/4	248	8 1/2	216	917	416
12"	300	26 1/2	673	12	305	10 1/8	257	1425	646
14"	350	29 1/2	749	14	356	11 1/2	292	2045	928
16"	400	32 1/2	826	15 1/8	384	12 13/16	325	2600	1179
18"	450	36	914	18 1/16	468	13 3/4	349	3883	1761
20"	500	38 3/4	984	21	533	14 3/4	348	5700	2580
24"	600	46	1168	22	559	15 1/8	384	7150	3236

ASME Class 600

Size		A		B		C		Weight	
in	mm	in	mm	in	mm	in	mm	lbs.	kg.
2"	50	6 1/2	165	2 3/8	60	1 15/16	49	18	8
2 1/2"	65	7 1/2	191	2 5/8	67	2 11/32	60	22	10
3"	80	8 1/4	210	2 7/8	73	2 29/32	74	30	14
4"	100	10 3/4	273	3 1/8	79	3 53/64	97	50	23
6"	150	14	356	5 3/8	137	5 49/64	146	183	83
8"	200	16 1/2	419	6 1/2	165	7 5/8	194	295	134
10"	250	20	508	8 3/8	213	9 9/16	243	540	245

ASME Class 2500

Size		A		B		C		Weight	
in	mm	in	mm	in	mm	in	mm	lbs.	kg.
2"	50	9 1/4	235	2 3/4	70	1 11/16	43	48	22
3"	80	12	305	3 3/8	86	2 5/8	67	93	42
4"	100	14	356	4 1/8	105	3 7/16	87	152	69
6"	150	19	483	6 1/4	159	5 3/16	132	386	175
8"	200	21 3/4	552	8 1/8	206	6 13/16	173	682	309
10"	250	26 1/2	673	10	254	8 1/2	216	1233	559
12"	300	30	762	12	305	10 1/8	257	1881	853

- Weights are for valves only.
- Consult factory for additional sizes and pressure classes.
- Other dimensions same as wafer design, pages 9-10.



Duo-Chek® II Valves

DIN Valve Outside Diameter of Body

PN 6, 10, 16 (ASME Class 150)

Size		PN	A (DIN)*	
in	mm		mm	in
2"	50	6	98	3 27/32
		10	109	4 9/32
		16	109	4 9/32
2 1/2"	65	6	118	4 5/8
		10	129	5 1/16
		16	129	5 1/16
3"	80	6	134	5 1/4
		10	144	5 21/32
		16	144	5 21/32
4"	100	6	154	6 1/16
		10	164	6 7/16
		16	164	6 7/16
5"	125	6	184	7 7/32
		10	194	7 5/8
		16	194	7 5/8
6"	150	6	209	8 7/32
		10	220	8 21/32
		16	220	8 21/32
8"	200	6	264	10 3/8
		10	275	10 13/16
		16	275	10 13/16
10"	250	6	319	12 17/32
		10	330	13
		16	331	13 1/32
12"	300	6	375	14 3/4
		10	380	14 15/16
		16	386	15 3/16
14"	350	6	425	16 23/32
		10	440	17 5/16
		16	446	17 17/32
16"	400	6	475	18 11/16
		10	491	19 5/16
		16	498	19 19/32
18"	450	10	541	21 9/32
		16	558	21
20"	500	6	580	22 13/16
		10	596	23 7/16
		16	620	24 13/16
24"	600	6	681	26 25/32
		10	698	27 15/32
		16	737	29
28"	700	6	786	30 15/16
		10	813	32
		16	807	31 3/4
32"	800	6	893	35 5/32
		10	920	36 7/32
		16	914	35 15/16
36"	900	6	993	39 3/32
		10	1020	40 5/32
		16	1014	39 29/32
40"	1000	6	1093	43 1/32
		10	1127	44 3/8
		16	1131	44 1/2
48"	1200	6	1310	51 9/16
		10	1344	52 15/16
		16	1345	52 15/16

PN 25, 40 (ASME Class 300)

Size		PN	A (DIN)*	
in	mm		mm	in
2"	50	25	109	4 9/32
		40	109	4 9/32
2 1/2"	65	25	129	5 1/16
		40	129	5 1/16
3"	80	25	144	5 21/32
		40	144	5 21/32
4"	100	25	170	6 11/16
		40	170	6 11/16
5"	125	25	196	7 11/16
		40	196	7 11/16
6"	150	25	226	8 7/8
		40	226	8 7/8
8"	200	25	286	11 1/4
		40	293	11 17/32
10"	250	25	343	13 1/2
		40	355	13 31/32
12"	300	25	403	15 27/32
		40	420	16 17/32
14"	350	25	460	18 3/32
		40	477	18 3/4
16"	400	25	517	20 11/32
		40	549	21 19/32
18"	450	40	574	22 19/32
		25	627	24 11/16
20"	500	40	631	24 13/16
		25	734	28 7/8
24"	600	25	750	29 1/2
		40		

PN 160 (ASME Class 900)

Size		PN	A (DIN)*	
in	mm		mm	in
2"	50	160	121	4 3/4
2 1/2"	65	160	146	5 3/4
3"	80	160	156	6 1/8
4"	100	160	183	7 7/16
5"	125	160	220	8 27/32
6"	150	160	260	10 7/32
8"	200	160	327	12 27/32
10"	250	160	391	15 3/8
12"	300	160	461	18 1/8

PN 250 (ASME Class 1500)

Size		PN	A (DIN)*	
in	mm		mm	in
2"	50	250	126	4 15/16
2 1/2"	65	250	156	6 1/8
3"	80	250	173	6 25/32
4"	100	250	205	8 1/16
5"	125	250	245	9 5/8
6"	150	250	287	11 9/32
8"	200	250	361	14 3/16
10"	250	250	445	17 1/2
12"	300	250	542	21 5/16

PN 320 (ASME Class 2500)

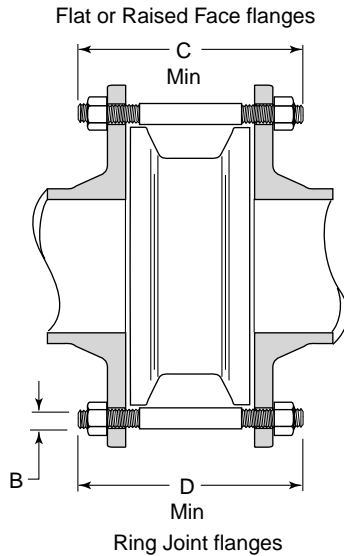
Size		PN	A (DIN)*	
in	mm		mm	in
2"	50	320	136	5 11/32
2 1/2"	65	320	173	6 25/32
3"	80	320	193	7 19/32
4"	100	320	232	9 1/8
5"	125	320	277	10 29/32
6"	150	320	314	12 11/32
8"	200	320	401	15 25/32
10"	250	320	492	19 11/32

PN 64, 100 (ASME Class 600)

Size		PN	A (DIN)*	
in	mm		mm	in
2"	50	64	115	4 1/2
		100	121	4 3/4
2 1/2"	65	64	140	5 1/2
		100	146	5 3/4
3"	80	64	150	5 29/32
		100	156	6 1/8
4"	100	64	176	6 29/32
		100	183	7 3/16
5"	125	64	213	8 3/8
		100	220	8 27/32
6"	150	64	250	9 13/16
		100	260	10 7/32
8"	200	64	312	12 9/32
		100	327	12 27/32
10"	250	64	367	14 7/16
		100	394	15 1/2
12"	300	64	427	16 25/32
		100	461	18 1/8
14"	350	64	489	19 1/4
		100	515	20 1/4
16"	400	64	546	21 15/32
		100	575	22 5/8
20"	500	64	660	25 31/32
		100	708	27 27/32
24"	600	64	768	30 7/32
		100	819	32 7/32

*Dimension A applies to drawing on page 9. Other dimensions for ASME Classes shown apply to these valves with DIN outside diameters.

Styles G and H Stud Selection



ASME Class 125

Valve Size		No. of Studs	B		C	
			Bolt Diameter		Flat Face	
in	mm		in	mm	in	mm
2"	50	4	5/8	16	5 1/4	133
2 1/2"	65	4	5/8	16	5 1/2	140
3"	80	4	5/8	16	5 3/4	146
4"	100	8	5/8	16	6 1/4	159
5"	125	8	3/4	19	6 3/4	171
6"	150	8	3/4	19	7	178
8"	200	8	3/4	19	8	203
10"	250	12	7/8	22	9	229
12"	300	12	7/8	22	10 1/2	267

*For larger sizes, see Class 150 table.

ASME Class 150

Valve Size		No. of Studs	B		C		D	
			Bolt Diameter		Raised Face		Ring Joint	
in	mm		in	mm	in	mm	in	mm
2"	50	4	5/8	16	5 3/4	146	6 1/4	159
2 1/2"	65	4	5/8	16	6 1/4	159	7	178
3"	80	4	5/8	16	6 3/4	171	7 1/4	184
4"	100	8	5/8	16	6 3/4	171	7 1/4	184
5"	125	8	3/4	19	7 1/2	191	8	203
6"	150	8	3/4	19	8	203	8 1/2	216
8"	200	8	3/4	19	9 1/2	241	10	254
10"	250	12	7/8	22	10 1/2	267	11	279
12"	300	12	7/8	22	12	305	12 1/2	318
14"	350	12	1	25	12 3/4	324	13 1/4	337
16"	400	16	1	25	13 1/4	337	13 3/4	349
18"	450	16	1 1/8	29	14 1/4	362	14 3/4	375
20"	500	20	1 1/8	29	15	381	15 1/2	394
24"	600	20	1 1/4	32	15 3/4	400	16 1/4	413
26"	650	24	1 1/4	32	22 3/4	578	23 1/4	591
30"	750	28	1 1/4	32	21 1/4	540	22 3/4	578
36"	900	32	1 1/2	38	26 1/4	667	39	679
42"	1050	36	1 1/2	38	28 1/2	724	-	-
48"	1200	44	1 1/2	38	33	838	-	-
54"	1350	44	1 3/4	44	35	889	-	-
60"	1500	52	1 3/4	44	-	-	-	-
66"	1650	52	1 3/4	44	-	-	-	-
72"	1800	60	1 1/8	29	-	-	-	-



Duo-Chek® II Valves

Styles G and H Stud Selection

ASME Class 300

Valve Size		No. of Studs	B		C		D	
			Bolt Diameter		Raised Face		Ring Joint	
in	mm		in	mm	in	mm	in	mm
2"	50	8	5/8	16	6	152	6 3/4	171
2 1/2"	65	8	3/4	19	6 3/4	171	7 1/2	191
3"	80	8	3/4	19	7	178	8	203
4"	100	8	3/4	19	7 1/2	191	8 1/4	210
5"	125	8	3/4	19	8 1/4	210	9	229
6"	150	12	3/4	19	9	229	9 3/4	248
8"	200	12	7/8	22	10 1/2	267	11 1/4	286
10"	250	16	1	25	12 1/4	311	13	330
12"	300	16	1 1/8	29	14	356	14 3/4	375
14"	350	20	1 1/8	29	16	406	16 3/4	425
16"	400	20	1 1/4	32	17	432	17 3/4	451
18"	450	24	1 1/4	32	18 1/2	470	19 3/4	489
20"	500	24	1 1/4	32	19 3/4	502	20 1/2	521
24"	600	24	1 1/2	38	21 3/4	552	22 3/4	578
26"	650	28	1 5/8	41	24 1/4	616	25 1/4	641
30"	750	28	1 3/4	44	27 1/4	692	28 1/2	724
36"	900	32	2	51	32 1/4	819	15 1/2	851
42"	1050	36	2	51	36 1/2	927	37 3/4	959
48"	1200	40	2	51	40	1016	-	-

ASME Class 600

Valve Size		No. of Studs	B		C		D	
			Bolt Diameter		Raised Face		Ring Joint	
in	mm		in	mm	in	mm	in	mm
2"	50	8	5/8	16	6 3/4	171	7	178
2 1/2"	65	8	3/4	19	7 1/2	191	7 3/4	197
3"	80	8	3/4	19	8	203	8 1/4	210
4"	100	8	7/8	22	9 1/4	235	9 1/4	235
5"	125	8	1	25	10 3/4	273	11	279
6"	150	12	1	25	12 1/4	311	12 1/2	318
8"	200	12	1 1/8	29	14 1/4	362	14 1/2	368
10"	250	16	1 1/4	32	17	432	17 1/4	438
12"	300	20	1 1/4	32	18	457	18	457
14"	350	20	1 3/8	35	20 1/4	514	20 1/2	521
16"	400	20	1 1/2	38	22 1/4	565	22 1/2	572
18"	450	20	1 5/8	41	25 1/4	641	25 1/2	648
20"	500	24	1 5/8	41	26	660	26 1/4	667
24"	600	24	1 7/8	48	30 1/4	768	30 3/4	781
26"	650	28	1 7/8	48	31 1/2	800	32	813
30"	750	28	2	51	34 1/4	870	34 3/4	883
36"	900	28	2 1/2	64	41	1041	20 1/2	1060
42"	1050	28	2 3/4	70	47	1194	47 1/2	1207

ASME Class 900

Valve Size		No. of Studs	B		C		D	
			Bolt Diameter		Raised Face		Ring Joint	
in	mm		in	mm	in	mm	in	mm
2"	50	8	7/8	22	8 3/4	222	8 3/4	222
2 1/2"	65	8	1	25	9 3/4	248	9 3/4	248
3"	80	8	7/8	22	9 1/4	235	9 1/4	235
4"	100	8	1 1/8	29	11	279	11	279
6"	150	12	1 1/8	29	14	356	14 1/4	362
8"	200	12	1 3/8	35	17	432	17 1/4	438
10"	250	16	1 3/8	35	19	483	19	483
12"	300	20	1 3/8	35	21 3/4	552	21 3/4	552
14"	350	20	1 1/2	38	25	635	25 1/2	648
16"	400	20	1 5/8	41	26 3/4	679	27	686
18"	450	20	1 7/8	48	30 3/4	781	31 1/2	800
20"	500	20	2	51	31 1/2	800	32 1/4	819
24"	600	20	2 1/2	64	36 3/4	933	37 1/4	946

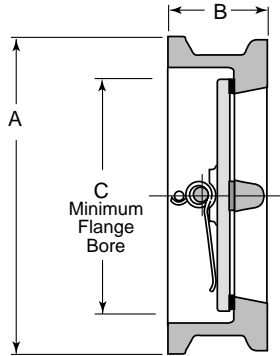
ASME Class 1500

Valve Size		No. of Studs	B		C		D	
			Bolt Diameter		Raised Face		Ring Joint	
in	mm		in	mm	in	mm	in	mm
2"	50	8	7/8	22	8 3/4	222	8 3/4	222
2 1/2"	65	8	1	25	9 3/4	248	9 3/4	248
3"	80	8	1 1/8	29	10 1/2	267	10 1/2	267
4"	100	8	1 1/4	32	12	305	12	305
6"	150	12	1 3/8	35	16 3/4	425	16 3/4	425
8"	200	12	1 5/8	41	19 3/4	502	20 1/4	514
10"	250	12	1 7/8	48	23 1/4	591	23 1/2	597
12"	300	16	2	51	27	686	27 3/4	705
14"	350	16	2 1/4	57	30 1/4	768	31 1/4	794
16"	400	16	2 1/2	64	33	838	34	864
18"	450	16	2 3/4	70	38 3/4	965	39	900
20"	500	16	3	76	43 3/4	1111	44 3/4	1137
24"	600	16	3 1/2	89	48	1219	49 1/4	1251

ASME Class 2500

Valve Size		No. of Studs	B		C		D	
			Bolt Diameter		Raised Face		Ring Joint	
in	mm		in	mm	in	mm	in	mm
2"	50	8	1	25	10	254	10	254
2 1/2"	65	8	1 1/8	29	11 1/4	286	11 1/4	286
3"	80	8	1 1/4	32	12 1/4	311	12 1/2	318
4"	100	8	1 1/2	38	14 1/4	362	14 3/4	375
6"	150	8	2	51	20	508	20 1/2	521
8"	200	12	2	51	23 3/4	603	24	610
10"	250	12	2 1/2	64	29 1/4	743	30 1/4	768
12"	300	12	2 3/4	70	33 1/4	845	34 1/4	870

API 6A Installation and Stud Selection



API Installation Dimensions - Class 3000

Size	A		B		C		Weight	
	in	mm	in	mm	in	mm	lbs.	kg.
2 1/16"	5 5/8	143	2 3/4	70	1 11/16	43	14	6
2 9/16"	6 1/2	165	3 1/4	83	2 1/8	54	16	7
3 1/8"	6 5/8	168	3 1/4	83	2 5/8	67	25	11
4 1/16"	8 1/8	206	4	102	3 7/16	87	43	20
7 1/16"	11 3/8	289	6 1/4	159	5 3/16	132	110	50
9"	14 1/8	359	8 1/8	206	6 13/16	173	219	99
11"	17 1/8	435	9 3/4	248	8 1/2	216	397	180
13 5/8"	19 5/8	498	12	305	10 1/8	257	725	329

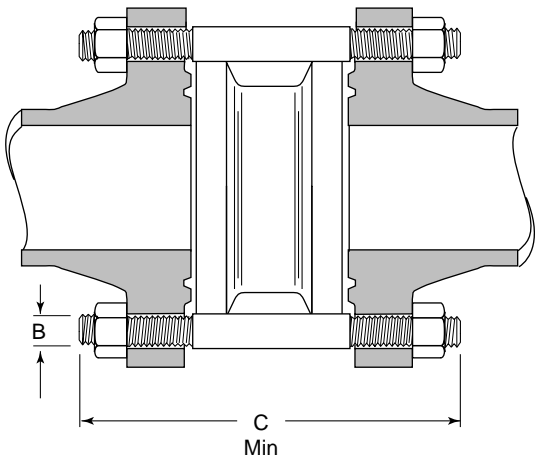
API Installation Dimensions - Class 2000

Size	A		B		C		Weight	
	in	mm	in	mm	in	mm	lbs.	kg.
2 1/16"	4 3/8	143	2 3/4	70	1 11/16	43	14	6
2 9/16"	5 1/8	130	3 1/4	83	2 1/8	54	16	7
3 1/8"	5 7/8	149	3 1/4	83	2 5/8	67	24	11
4 1/16"	7 5/8	194	4	102	3 7/16	87	40	18
7 1/16"	10 1/2	267	6 1/4	159	5 3/16	132	115	52
9"	12 5/8	321	8 1/8	206	6 13/16	173	229	104
11"	15 3/4	400	9 1/2	241	8 1/2	216	388	176
13 5/8"	18	457	11 1/2	292	10 1/8	257	540	245

API Installation Dimensions - Class 5000

Size	A		B		C		Weight	
	in	mm	in	mm	in	mm	lbs.	kg.
2 1/16"	5 5/8	143	2 3/4	70	1 11/16	43	15	7
2 9/16"	6 1/2	165	3 1/4	83	2 1/8	54	22	10
3 1/8"	6 7/8	175	3 3/8	86	2 5/8	67	31	14
4 1/16"	8 1/4	210	4 1/8	105	3 7/16	87	49	22
7 1/16"	11 1/8	283	6 1/4	159	5 3/16	132	190	86
9"	13 7/8	352	8 1/8	206	6 13/16	173	285	129
11"	17 1/8	435	10	254	8 1/2	216	502	228

Dimensions for 10000 and 15000 ratings available on request.



API Stud Selection - Class 3000

Size	No. of Studs	B		C	
		in	mm	in	mm
2 1/16"	8	7/8	22	9 1/4	235
2 9/16"	8	1	25	11 1/4	286
3 1/8"	8	7/8	22	11 1/2	292
4 1/16"	8	1 1/8	29	12	305
7 1/16"	12	1 1/8	29	15 1/4	387
9"	12	1 3/8	35	18 3/4	476
11"	16	1 3/8	35	20	508
13 5/8"	20	1 3/8	35	21 1/2	591

API Stud Selection - Class 2000

Size	No. of Studs	B		C	
		in	mm	in	mm
2 1/16"	8	5/8	16	8	203
2 9/16"	8	3/4	19	9	229
3 1/8"	8	3/4	19	9 1/2	241
4 1/16"	8	7/8	22	11 1/2	292
7 1/16"	12	1	25	14	356
9"	12	1 1/8	29	17	432
11"	16	1 1/4	32	19	483
13 5/8"	20	1 1/4	32	23 3/4	546

API Stud Selection - Class 5000

Size	No. of Studs	B		C	
		in	mm	in	mm
2 1/16"	8	7/8	22	9 1/4	235
2 9/16"	8	1	25	11 1/4	286
3 1/8"	8	1 1/8	29	12	305
4 1/16"	8	1 1/4	32	13	330
7 1/16"	12	1 3/8	35	18 3/4	476
9"	12	1 5/8	41	21	533
11"	12	1 7/8	48	24 1/2	622



Duo-Chek® II Valves

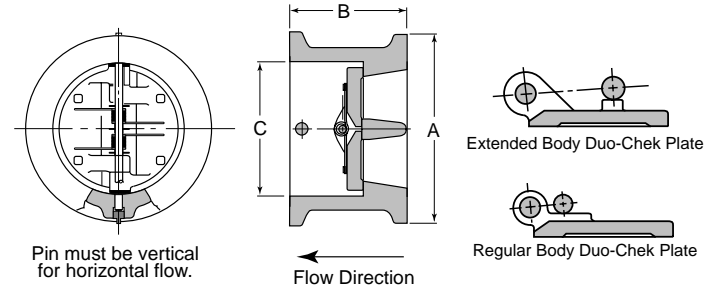
Style X Extended Body Wafer Check Valves

The "Extended Body" version of the Duo-Chek II was designed for extremely fast opening conditions. These types of applications are generally associated with compressed gas or steam that causes damage from the explosive opening effect on the closure mechanism. This damage can render them inoperative. This is especially true with slow response valves such as swing and tilting disc check valves.



The Style X body design has special geometry and plate configuration to allow each plate to strike the stop pin in its center of percussion. To absorb high impacts, the stop pin and hinge lugs are oversized.

Typical applications include centrifugal compressor discharge where compressors are subject to "surging," air separation plants, pipelines where compressors are mounted in parallel, and steam extraction. Style X Duo-Chek valves are generally not required for liquid applications.



Installation Dimensions — Pressure Classes 150–2500

ASME Class 150

Size		A		B		C		Weight	
in	mm	in	mm	in	mm	in	mm	lbs.	kg.
6"	150	8 3/4	222	4 13/16	122	6 3/8	168	46	21
8"	200	11	279	6 1/4	159	8 5/8	219	91	41
10"	250	13 3/8	340	7 1/4	184	10 3/4	273	166	75
12"	300	16 1/8	410	9	229	12 3/4	324	244	111
14"	350	17 3/4	451	8 3/8	213	14	356	260	118
16"	400	20 1/4	514	9 1/2	241	16	406	345	157
18"	450	21 5/8	549	10 3/8	264	18	457	427	194
20"	500	23 7/8	606	11 3/4	298	20	508	548	249
24"	600	28 1/4	718	13 3/4	349	24	610	874	396
26"	650	30 1/2	775	18	457	26	660	1741	790
30"	750	34 3/4	883	18	457	30	762	1544	700
32"	800	37	940	20 7/8	530	32	813	1638	743
36"	900	41 1/4	1048	21 7/8	556	36	914	2750	1247
42"	1050	48	1219	25 3/4	654	42	1067	3862	1752
48"	1200	54 1/2	1384	30 7/8	784	48	1219	6000	2722
54"	1350	61	1550	32 3/4	832	54	1372	7462	3385

ASME Class 300

Size		A		B		C		Weight	
in	mm	in	mm	in	mm	in	mm	lbs.	kg.
6"	150	9 7/8	251	4 13/16	122	6 5/8	168	61	28
8"	200	12 1/8	308	6 1/4	159	8 5/8	219	107	48
10"	250	14 1/4	362	7 1/4	184	10 3/4	273	166	75
12"	300	16 5/8	422	9	229	12 3/4	324	244	111
14"	350	19 1/8	486	10 1/4	260	14	356	407	185
16"	400	21 1/4	540	11 1/8	283	16	406	533	242
18"	450	23 1/2	597	12 1/2	318	18	457	698	317
20"	500	25 3/4	654	13 3/4	349	20	508	900	408
24"	600	30 1/2	775	16	406	24	610	1446	656
28"	700	35 7/8	911	20 1/4	514	28	711	1992	904
30"	750	37 1/2	953	20 5/8	524	30	762	2457	1115
36"	900	44	1118	25	635	36	914	3947	1790
42"	1050	50 3/4	1289	31 7/8	810	42	1067	6523	2959
48"	1200	58 3/4	1492	35	889	48	1219	7483	3394

ASME Class 600

Size		A		B		C		Weight	
in	mm	in	mm	in	mm	in	mm	lbs.	kg.
8"	200	12 5/8	321	7 1/2	191	8 5/8	219	178	81
10"	250	15 3/4	400	9 7/8	251	10 3/4	273	285	130
12"	300	18	457	11 5/8	295	12 3/4	324	366	166
14"	350	19 3/8	492	12 3/4	324	14	356	485	220
16"	400	22 1/4	565	14 1/2	368	16	406	705	320
18"	450	24 1/8	613	16 3/4	425	18	457	1057	480
20"	500	26 7/8	683	17 1/2	445	20	508	1531	695
24"	600	31 1/8	791	21 1/4	540	24	610	2240	1016
28"	700	36	914	23	584	28	711	3277	1486
30"	750	38 1/4	972	26 3/4	680	30	762	3746	1699
36"	900	44 1/2	1130	31	787	36	914	7000	3175
48"	1200	54 3/4	1391	40 1/8	1019	48	1219	9972	4523

ASME Class 900

Size		A		B		C		Weight	
in	mm	in	mm	in	mm	in	mm	lbs.	kg.
6"	150	11 3/8	289	6 7/8	175	6 3/4	171	149	68
10"	250	17 1/8	435	10 1/4	260	10 3/4	273	462	210
12"	300	19 5/8	498	12 13/16	325	12 3/4	324	605	274
14"	350	20 1/2	521	14 5/8	371	14	356	1030	467
16"	400	22 3/8	575	15 1/2	394	16	406	1553	705
20"	500	27 1/2	699	19 1/2	495	20	508	1583	718
24"	600	33	838	22 1/4	565	24	610	3029	1374
30"	750	39 3/4	1010	28 7/8	734	30	762	6310	2862

ASME Class 1500

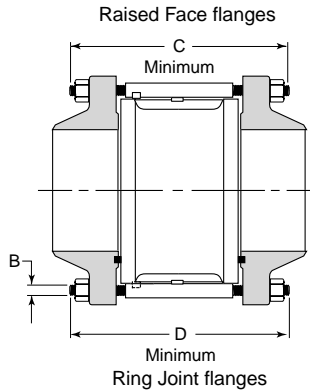
Size		A		B		C		Weight	
in	mm	in	mm	in	mm	in	mm	lbs.	kg.
10"	250	17 1/8	435	11 1/2	292	10 3/4	273	476	216
12"	300	20 1/2	521	13 7/8	353	12 3/4	324	805	365
14"	350	22 3/4	578	14 5/8	371	14	356	1080	490
16"	400	25 1/4	641	16 1/2	419	16	406	1530	694
18"	450	27 3/4	705	20 1/4	514	18	457	2109	957
20"	500	29 3/4	756	21 7/8	556	20	508	2376	1077
24"	600	35 1/2	902	24 7/8	632	24	610	4329	1964

ASME Class 2500

Size		A		B		C		Weight	
in	mm	in	mm	in	mm	in	mm	lbs.	kg.
10"	250	18 3/4	476	11 1/2	292	10 3/4	273	577	262
12"	300	21 5/8	549	13 7/8	352	12 3/4	324	598	271

Consult factory for additional sizes and pressure classes.

Style X Stud Selection – Pressure Classes 150–2500



ASME Stud Selection Class 150

Valve Size		No. of Studs	B		C		D	
			Bolt Diameter		Raised Face		Ring Joint	
in	mm		in	mm	in	mm	in	mm
6"	150	8	3/4	19	9	229	9 1/2	241
8"	200	8	3/4	19	10 3/4	273	11 1/4	286
10"	250	12	7/8	22	12	305	12 1/2	318
12"	300	12	7/8	22	14	356	14 1/2	368
14"	350	12	1	25	14	356	14 1/2	368
16"	400	16	3/4	19	14 3/4	375	15 1/4	387
18"	450	16	1 1/8	29	16 3/4	425	17 1/4	438
20"	500	20	1 1/8	29	18 1/4	464	18 3/4	476
24"	600	20	1 1/4	29	20 3/4	527	21 1/4	540
26"	650	24	1 1/4	32	26 3/4	679	27 1/4	692
30"	750	28	1 1/4	32	27 1/4	692	27 3/4	705
32"	800	28	1 1/2	38	32	1690	32 3/4	832
36"	900	32	1 1/2	38	32 1/4	819	32 3/4	832
42"	1050	36	1 1/2	38	37 1/4	946	-	-
48"	1200	44	1 1/2	38	43 1/4	1099	-	-
54"	1350	44	1 3/4	44	43 1/2	1105	-	-

ASME Stud Selection Class 600

Valve Size		No. of Studs	B		C		D	
			Bolt Diameter		Raised Face		Ring Joint	
in	mm		in	mm	in	mm	in	mm
8"	200	12	1 1/8	29	15 1/4	387	15 1/4	387
10"	250	16	1 1/4	32	18 1/4	464	18 3/4	476
12"	300	20	1 1/4	32	20 1/2	521	20 3/4	527
14"	350	20	1 3/8	35	22	559	22	559
16"	400	20	1 1/8	29	24 1/2	622	24 1/2	622
18"	450	20	1 5/8	41	30	762	30 1/4	768
20"	500	24	1 5/8	41	29	737	29 1/2	743
24"	600	24	1 7/8	48	34 1/4	870	34 3/4	883
28"	700	28	2	51	36 1/2	927	37	940
30"	750	28	2	51	42	1067	42 1/2	1080
36"	900	28	2 1/2	64	47	1194	-	-
48"	1050	32	2 3/4	70	62	1574	-	-

ASME Stud Selection Class 300

Valve Size		No. of Studs	B		C		D	
			Bolt Diameter		Raised Face		Ring Joint	
in	mm		in	mm	in	mm	in	mm
6"	150	12	3/4	19	10	254	10 3/4	273
8"	200	12	7/8	22	11 3/4	298	12 1/2	318
10"	250	16	1	25	13 3/4	349	14 1/2	368
12"	300	16	1 1/8	29	16	406	16 3/4	425
14"	350	20	1 1/8	29	17 1/2	445	18 1/4	464
16"	400	20	7/8	22	18 1/2	470	19	483
18"	450	24	1 1/4	32	20 3/4	527	21 1/2	546
20"	500	24	1 1/4	32	22	641	22 3/4	578
24"	600	24	1 1/2	29	15 1/4	648	26 1/4	667
28"	700	28	1 5/8	41	31	787	31 1/2	800
30"	750	28	1 3/4	44	32 1/4	819	33 1/2	851
36"	900	32	2	51	38 1/2	978	-	-
42"	1050	32	2	51	47 1/2	1206	-	-
48"	1200	40	2	51	50 1/4	1276	-	-

ASME Stud Selection Class 900

Valve Size		No. of Studs	B		C		D	
			Bolt Diameter		Raised Face		Ring Joint	
in	mm		in	mm	in	mm	in	mm
6"	150	12	1 1/8	29	14 3/4	375	15	381
10"	250	16	1 3/8	35	19 1/2	495	19 3/4	502
12"	300	20	1 3/8	35	23	584	23 1/4	591
14"	350	20	1 1/2	38	25 3/4	654	26 1/4	667
16"	400	20	1 1/4	32	26 3/4	679	27	686
20"	500	20	2	51	33 1/4	844	34	864
24"	600	20	2 1/2	64	39 3/4	1010	40 3/4	1035
30"	750	20	3	76	48	1219	48 1/2	1232

ASME Stud Selection Class 1500

Valve Size		No. of Studs	B		C		D	
			Bolt Diameter		Raised Face		Ring Joint	
in	mm		in	mm	in	mm	in	mm
10"	250	12	1 7/8	48	25	635	25 1/4	641
12"	300	16	2	51	29	737	29 1/2	749
14"	350	16	2 1/4	57	31 1/4	794	32 1/4	819
16"	400	16	1 1/2	38	34	864	35	889
18"	450	16	2 3/4	70	39 3/4	1010	41	1041
20"	500	16	3	76	43	1092	44	1118
24"	600	16	3 1/2	89	49	1245	49 1/4	1251

ASME Stud Selection Class 2500

Valve Size		No. of Studs	B		C		D	
			Bolt Diameter		Raised Face		Ring Joint	
in	mm		in	mm	in	mm	in	mm
10"	250	12	2 1/2	64	31	787	31 3/4	806
12"	300	12	2 3/4	70	35 1/2	902	36 1/2	927



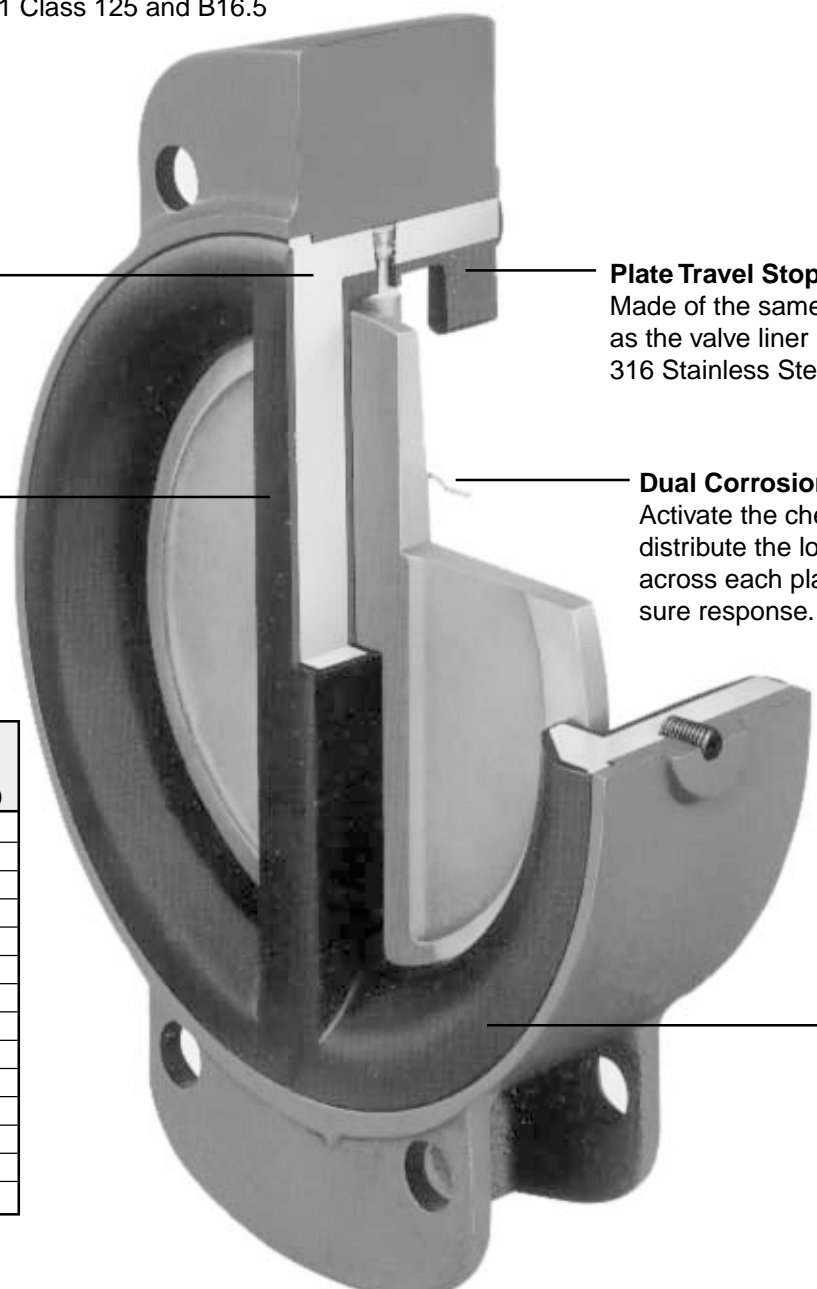
Duo-Chek® II Valves

Series 800 Lined Wafer Check Valves

- Sizes from 2" to 24"
- Fully elastomer lined
- Tight shutoff from 25 psi to 150 psi (lower minimum pressure available on request)
- Dual springs distribute load force evenly for quicker response
- Compatible with ASME B16.1 Class 125 and B16.5 Class 150 flanges

Typical markets include:

- HVAC
- Chemical and Petrochemical
- Food and Beverage
- Power and Utilities
- Pulp and Paper



Fully-Lined Ductile Iron Valve Body:

Maintains full rated pressure. Elastomer lining prevents flow media from contacting the body.

Valve Liner:

Available in several elastomer compounds to meet most corrosive application demands

Plate Travel Stop:

Made of the same material as the valve liner (2" - 12") or 316 Stainless Steel (14" - 24").

Dual Corrosion-Resistant Springs:

Activate the check valve plates and distribute the load force evenly across each plate, ensuring quick sure response.

Liner Face:

Negates the need for flange gaskets.

Size		Cv	Cracking Pressure* (in. of water)
in	mm		
2	50	36	10
2 1/2	65	62	12
3	80	123	7
4	100	281	6
5	125	522	10
6	150	1,033	8
8	200	2,158	9
10	250	3,368	13
12	300	5,068	10
14	350	6,465	12
16	400	9,172	12
18	450	12,853	10
20	500	17,398	16
24	600	28,794	15

*Horizontal flow. Values are approximate.

Liner Temperature Ratings

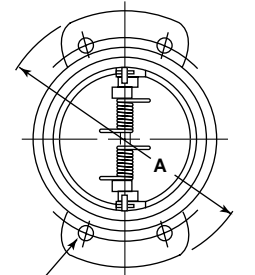
Material	Temperature Ratings (°F)
Buna-N (Standard)	+10 to +180
EPDM (Standard)	-30 to +275
Neoprene	+20 to +200
Viton	+10 to +400
Hypalon	0 to +275

Some flow media may further restrict the published temperature limits and/or significantly reduce seat life. Consul factory for additional information.

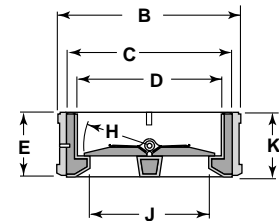
Installation Dimensions

Dimensions [in (mm)] and Weights [lbs (kg)]

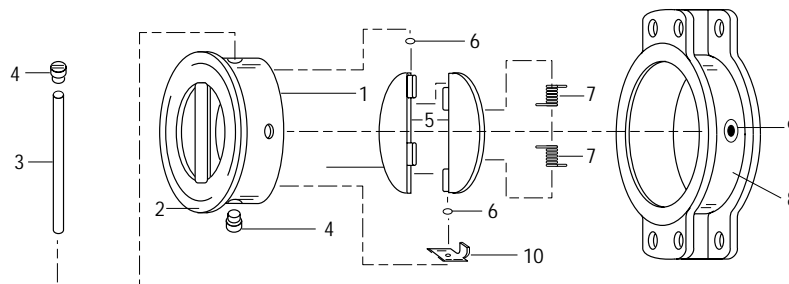
Valve Size	A	B	C	D	E	F	G	H	J	K	Weight
2 (50)	6.25 (158.75)	4.00 (101.60)	3.31 (84.14)	2.62 (66.68)	2.06 (52.39)	4.75 (120.65)	0.69 (17.46)	1.12 (47.63)	1.88 (47.63)	2.12 (53.98)	5 (2.27)
2 1/2 (65)	7.00 (177.80)	4.75 (120.65)	3.88 (98.43)	3.12 (79.38)	2.06 (52.39)	5.50 (139.70)	0.69 (17.46)	1.44 (36.51)	2.31 (58.74)	2.12 (53.98)	6 (2.72)
3 (80)	7.50 (190.50)	5.25 (133.35)	4.56 (115.89)	3.62 (92.08)	2.06 (52.39)	6.00 (152.40)	0.69 (17.46)	1.62 (41.28)	2.75 (69.85)	2.12 (53.98)	8 (3.63)
4 (100)	9.25 (234.95)	6.75 (171.45)	5.62 (142.88)	4.62 (117.48)	2.44 (61.91)	7.50 (190.50)	0.69 (17.46)	2.12 (53.98)	3.44 (87.31)	2.50 (63.50)	15 (6.81)
5 (125)	10.62 (269.88)	7.62 (193.68)	6.75 (171.45)	5.69 (144.46)	2.56 (64.93)	8.50 (215.90)	0.81 (20.64)	2.66 (67.47)	4.44 (112.71)	2.62 (66.68)	20 (9.08)
6 (150)	12.00 (304.80)	8.75 (222.25)	7.88 (200.03)	6.75 (171.45)	3.06 (77.79)	9.50 (241.30)	0.81 (20.64)	3.16 (80.17)	5.56 (141.29)	3.12 (79.38)	26 (11.80)
8 (200)	14.50 (368.30)	10.62 (269.88)	10.00 (254.00)	8.75 (222.25)	3.81 (96.84)	11.75 (298.45)	0.81 (20.64)	4.16 (105.57)	7.56 (192.09)	3.88 (98.43)	43 (19.52)
10 (250)	16.88 (428.63)	13.25 (336.55)	12.12 (307.98)	10.88 (276.23)	3.94 (100.01)	14.25 (361.95)	0.94 (23.81)	5.12 (130.18)	9.06 (230.19)	4.00 (101.60)	58 (26.33)
12 (300)	19.450 (495.30)	16.00 (406.40)	14.38 (365.13)	12.88 (327.03)	5.06 (128.59)	17.00 (431.80)	0.94 (23.81)	6.25 (158.75)	10.81 (274.64)	5.12 (130.18)	100 (45.40)
14 (350)	22.50 (571.50)	17.62 (447.68)	15.62 (396.88)	14.12 (358.78)	7.00 (177.80)	18.75 (476.25)	1.06 (26.99)	6.75 (171.45)	12.06 (306.39)	7.12 (180.98)	135 (61.29)
16 (400)	24.88 (631.83)	20.12 (511.18)	17.75 (450.85)	16.12 (409.58)	6.25 (158.75)	21.25 (539.75)	1.06 (26.99)	7.75 (196.85)	14.00 (355.60)	6.38 (161.93)	170 (77.18)
18 (450)	25.25 (641.35)	21.50 (546.10)	20.00 (508.00)	18.12 (460.37)	7.12 (180.97)	22.75 (577.85)	1.19 (30.16)	8.75 (222.25)	16.00 (406.14)	7.25 (184.15)	220 (99.88)
20 (500)	27.50 (698.50)	23.50 (596.90)	21.88 (555.62)	20.12 (511.17)	8.38 (212.72)	25.00 (635.00)	1.19 (30.16)	9.75 (247.65)	18.12 (469.90)	8.50 (215.90)	287 (130.30)
24 (600)	32.25 (819.15)	28.12 (714.37)	25.88 (657.22)	24.12 (612.77)	8.38 (212.72)	29.50 (749.30)	1.31 (33.34)	11.75 (298.45)	22.25 (565.15)	8.50 (215.90)	335 (152.09)



4 HOLES
G. DIA. ON
F BOLT CIRCLE



Note: Preferred mounting of check valves of any manufacturer is 5 pipe diameters downstream from the pump discharge or pipe elbow. If this is not feasible, the valve should be mounted downstream as far as possible. This is recommended to reduce the likelihood of turbulent flow through the valve, which could shorten valve life due to component vibration.



Bill of Materials

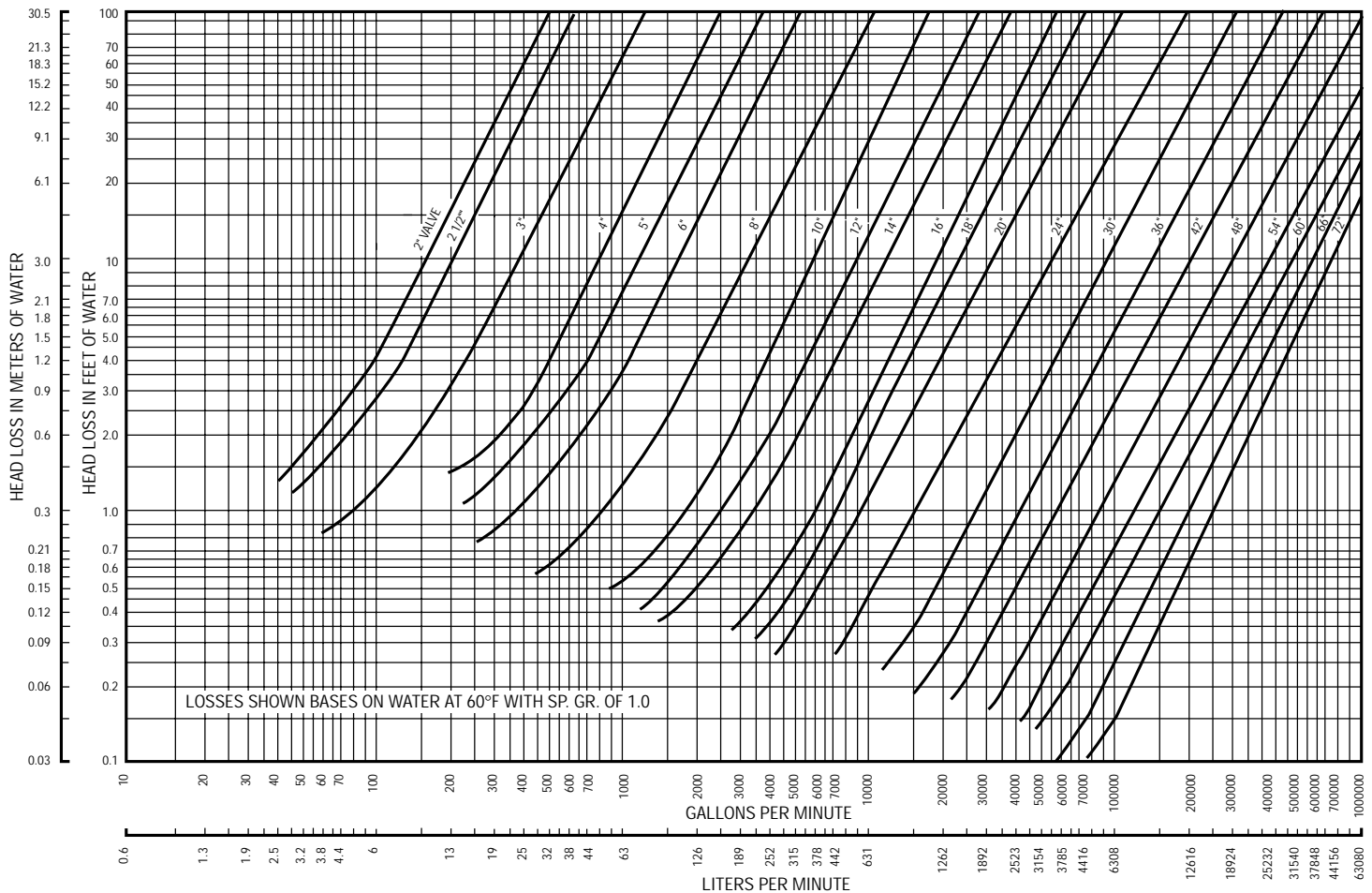
Item	Description	Materials	Optional Materials
1*	Valve Body	Ductile Iron	No option available
2*	Liner (Molded to Item 1)	Buna-N or EPDM	Neoprene, Hypalon, Viton
3	Shaft	316 Stainless Steel	Monel
4	Shaft Plug (Qty. 2)	316 Stainless Steel	Monel
5	Plate (Qty. 2)	2" 316 Stainless Steel 2 1/2" -5" Aluminum Bronze 6"-24" Ductile Iron	2"-12" Monel 2 1/2" -12" 316 Stainless Steel 6"-24" Aluminum Bronze
6	Thrust Washer (Qty. 4)	PTFE	No option available
7	Spring (Qty. 2)	Nitronic 50 (2"-6") 316 Stainless Steel (8"-24")	No option available No option available
8	Alignment Body	Cast Iron	No option available
9	Set Screw	Carbon Steel	No option available
10	Plate Travel Stop	316 Stainless Steel (14"-24")	No option available

* Items 1 and 2 must be ordered together.
Materials subject to change without notice.

Technical Data

Pressure Loss Information

- The curves show pressure drops available with standard torque springs and the Duo-Chek II in horizontal flow.
- Duo-Chek II valves should be installed in horizontal flow with pins vertical for best performance. For other installations, contact the factory.
- We can evaluate Duo-Chek II valves relative to your system behavior.
- Systems with drastic flow decelerations may require higher torque springs for faster valve response and to reduce water hammer. Please consult the factory.
- Each piping system has a unique geometry which should be evaluated whenever the liquid media velocity exceeds 8 feet/second (2.4m/sec) through a swage or expansion (15° or greater included angle) directly upstream of the valve. Where practicable, a minimum of five (5) pipe diameters distance should be maintained between the valve and the pump discharge and pipe fittings (swages or expansion) for maximum service life.



Technical Data

Valve Coefficient Cv

Valve Size		Class 150-300
in	mm	
2"	50	75
2 1/2"	65	95
3"	80	191
4"	100	377
5"	127	483
6"	150	821
8"	200	1,590
10"	250	2,920
12"	300	4,470
14"	350	5,870
16"	400	8,690
18"	450	10,940
20"	500	14,290
24"	600	23,000
30"	750	37,200
36"	900	59,000
42"	1050	92,000
48"	1200	126,000
54"	1350	186,000
60"	1500	217,000
66"	1650	280,000
72"	1800	350,000

Class 150 Spring Cracking Pressure (PSI)

Valve Size		Std. Torque	Low Torque	Min. Torque
in	mm			
2"	50	0.23	0.13	0.05
2 1/2"	65	0.26	0.12	0.04
3"	80	0.21	0.16	0.04
4"	100	0.22	0.11	0.05
5"	127	0.18	0.09	0.05
6"	150	0.14	0.07	0.04
8"	200	0.19	0.10	0.04
10"	250	0.18	0.10	0.04
12"	300	0.17	0.07	0.04
14"	350	0.15	0.06	0.04
16"	400	0.16	0.08	0.03
18"	450	0.15	0.07	0.03
20"	500	0.13	0.06	0.03
24"	600	0.10	0.05	0.03
30"	750	0.08	—	—
36"	900	0.08	—	—
42"	1050	0.05	—	—
48"	1200	0.06	—	—

- Spring cracking pressure is the pressure required to lift the plates off the seat.
- Other springs available, consult factory.
- Valves 6" and larger have independent springs.

Spring & Drain Size Information

Spring Selection Guide		
Spring Material	Operating Temperature Range	
	°C	°F
Inconel 600	-250 to 315	-420 to 600
Type 316 S.S.	-129 to 120	-200 to 250
Inconel X-750	-250 to 537	-420 to 1000
Monel 400	-250 to 205	-420 to 400

- Spring materials are included in trim materials as an important part of materials selection. The most common standard trim materials are shown under Ordering Information.
- For unique service conditions, different torque springs as well as other spring materials are available.

Drain Sizes (Available when specified)	
ASME Class 125 (Cast Iron) Schedule A	
2" – 8" (50mm – 200mm)	1/8" (3.18mm)
10" – 12" (250mm – 300mm)	3/8" (9.52mm)
14" & up (350mm & up)	3/4" (19.1mm)
ASME Class 150-2500 Schedule B	
2" - 2 1/2" (50mm – 65mm)	1/4" (6.35mm)
3" - 4" (75mm – 100mm)	3/8" (9.52mm)
5" (125mm)	1/2" (12.7mm)
6" & up (150 mm)	3/4" (19.1mm)

- All drain holes are located in the plane of the seal and 180° from the lift hole.

Technical Data

ASME B16.34 Pressure-Temperature Ratings Steel and Stainless Steel

Temperature		Maximum Non-Shock Service Pressure, psi and kg/cm ² (ASME B16.34)											
°C	°F	Class 150				Class 300				Class 600			
		Steel ⁽¹⁾		316SS		Steel ⁽¹⁾		316SS		Steel ⁽¹⁾		316SS	
		kg/cm ²	psi	kg/cm ²	psi	kg/cm ²	psi	kg/cm ²	psi	kg/cm ²	psi	kg/cm ²	psi
-29 to 38	-20 to 100	20.0	285	19.3	275	52.0	740	50.6	720	104.0	1480	101.2	1440
93	200	18.3	260	16.9	240	47.5	675	43.6	620	94.9	1350	87.2	1240
149	300	16.2	230	15.1	215	46.0	655	39.4	560	92.4	1315	78.7	1120
204	400	14.1	200	13.7	195	44.6	635	36.2	515	89.3	1270	72.4	1030
260	500	12.0	170	12.0	170	42.2	600	33.7	480	84.4	1200	67.1	955
316	600	9.8	140	9.8	140	38.7	550	31.6	450	77.0	1095	63.6	905
343	650	8.8	125	8.8	125	37.6	535	31.3	445	75.6	1075	62.6	890
371	700	7.7	110	7.7	110	37.6	535	30.2	430	74.9	1065	60.8	865
399	750	6.7	95	6.7	95	35.5	505	29.9	425	71.0	1010	59.4	845
427	800	5.6	80	5.6	80	28.8	410	29.2	415	58.0	825	58.3	830
454	850	4.4	65	4.6	65	19.0	270	28.5	405	37.6	535	56.9	810
482	900	3.5	50	3.5	50	12.0	170	27.8	395	24.3	345	55.5	790
510	950	2.5	35	2.5	35	7.4	105	27.1	385	14.4	205	54.5	775
538	1000	1.4	20	1.4	20	3.5	50	25.7	365	7.4	105	51.0	725
Hydrostatic Shell Test		31.6	450	29.9	425	79.1	1125	77.3	1100	156.4	2225	152.9	2175
°C	°F	Class 900				Class 1500				Class 2500			
-29 to 38	-20 to 100	156.1	2220	151.8	2160	260.5	3705	253.1	3600	433.8	6170	421.8	6000
93	200	142.4	2025	130.8	1860	237.3	3375	217.6	3095	395.4	5625	362.7	5160
149	300	138.5	1970	118.1	1680	230.6	3280	196.5	2795	384.5	5470	327.6	4660
204	400	133.6	1900	108.3	1540	222.9	3170	180.7	2570	371.2	5280	300.9	4280
260	500	126.2	1795	100.9	1435	210.5	2995	168.0	2390	350.8	4990	279.8	3980
316	600	115.3	1640	95.3	1355	192.3	2735	158.5	2255	320.6	4560	264.3	3760
343	650	113.2	1610	93.5	1330	188.8	2685	156.1	2220	314.6	4475	260.1	3700
371	700	112.5	1600	91.0	1295	187.3	2665	151.8	2160	312.1	4440	253.1	3600
399	750	106.2	1510	89.3	1270	177.2	2520	148.3	2110	295.3	4200	247.5	3520
427	800	86.8	1235	87.5	1245	144.8	2060	145.9	2075	241.1	3430	243.2	3460
454	850	56.6	805	85.4	1215	94.2	1340	142.7	2030	156.8	2230	233.4	3320
482	900	36.2	515	83.0	1180	60.5	860	138.5	1970	100.5	1430	230.6	3280
510	950	21.8	310	81.5	1160	36.2	515	135.7	1930	60.5	860	226.4	3220
538	1000	10.9	155	76.6	1090	18.3	260	127.9	1820	30.2	430	213.0	3030
Hydrostatic Shell Test		235.5	3350	228.5	3250	391.9	5575	379.6	5400	652.0	9275	632.7	9000

⁽¹⁾ Permissible, but not recommended for prolonged use above 800°F (427°C)

Ordering Information

Figure Number System

Size	Style	Pressure Class	Body & Plate	Seal	End Connection	Body Configuration	Modification Number
24"	H	15	S	M	F	3 —	9

DESCRIPTION: 24" Style H, ASME Class 150, Carbon Steel Body and Plates, Buna-N Seal, raised face flanges, with double flange body, (modification number indicates Inconel X spring)

Valve Size
Nominal valve sizes are expressed in inches or millimeters.
In Inches: For use with ASME, API and BS Flange Standards.
In Millimeters: For use with DIN, AS or JIS rated valves (size preceded by "M" for DIN, "A" for AS or "J" for JIS).

Style		
Ordering Letter	Body Type	Size Range
G	Standard Design, Wafer	2" through 88" (50mm through 2200mm)
H	Retainerless Duo-Chek Design Wafer, Lug or Double Flange	2" through 88" (50mm through 2200mm)
X	Extended Body Design	2" through 72" (50mm through 1800mm)
U	Underwriters' Laboratories Listed Valves for Fire Protection Service	4" through 12" (except 5") (U12 HMP Valves Only)
W*	Bodies with Integral Weld-Ends	2" through 72" (50mm through 1800mm)

*Weld-end valves also require the additional designation of the pipe schedule they are designed to fit.

Pressure Classes							
ASME		API ¹		DIN / JIS ¹		BS / AS ²	
Ordering No.	Class	Ordering No.	Class	Ordering No.	PN Rating	Ordering No.	Table
12	125	21	2000	Flange Standard:	6	B - BS	A thru T
15	150	31	3000		10		
30	300	51	5000	M - DIN	16	A - AS	T
40	400	101	10000	J - JIS	25		
60	600				40		
90	900				64		
150	1500				100		
250	2500				160		
450	4500				250		
					320		

Δ API Class is shown in psig, cold working pressure.

¹ Metric valves with DIN or JIS standard flanges are designated by having the nominal size expressed in millimeters, preceded by "M" or "J". Flange ratings in PN numbers are then listed after the valve style, as in ANSI or API Valves.

Example: M 100 (4") G16 SPF

Flange Standard
(M - DIN)
100mm Size

Pressure Rating, PN
for DIN or JIS
(in bars)

This specifies a metric valve, designed to fit between DIN flanges. Nominal size is 100 millimeters (corresponding to 4"), Style G Duo-Chek II with a pressure rating of 16 bars, carbon steel body and plate, metal seat, and raised face end connections.

² Valves designed for use with British Standard 10 or Australian Standard 2129 are defined by adding two letters between the style of construction and pressure rating. First letter designates the standard, and the second letter denotes the table in that standard.

Example: 6" G B E 15 BNF

Flange Standard
B - British Std. 10

ANSI Class
is made from

Table in corresponding
Standard

Figure number lists a 6" Style G Duo-Chek II, designed to fit between British Standard 10, Table E Flanges, using a Class 150 Valve, having an aluminum bronze body and plates, Neoprene seal and raised face end connections.

Ordering Information

Body and Plates

Ordering Letter	Material	Specification	Ordering Letter	Material	Specification
B	Aluminum Bronze	ASTM B148 Alloy 952	T	317 S.S.	ASTM A351, Gr. CG-8M
C	316 Stainless Steel	BS 1400, Alloy AB2	U	WC6 Alloy Steel	ASTM A217, Gr. WC6 (1¼% Cr)
E	410 Stainless Steel	ASTM A351 Gr. CF-8M	V	347 S.S.	ASTM A351, Gr. CF-8C
F	Alloy 20	ASTM A217 Gr. CA15 (12% Cr)	W	316 L S.S.	ASTM A351, Gr. CF-3M
G	Low Temp. C.S.	ASTM A351 Gr. CN7M	Y	C5 Alloy Steel	ASTM A217, Gr. C5 (5% Cr)
H	Cast Iron with Al. Br. Plates	ASTM A352, Gr. LCB	Z	WC9 Alloy Steel	ASTM A217, Gr. WC9 (2½% Cr)
K	Hastelloy® C	ASTM A126; BS 1452, Gr. 220	CA	Duplex	ASTM A351
L	C12 Alloy Steel	ASTM B148 (952); BS 1400 (AB2)	DZ	European S.S.	UNS S31803
M	Monel	A494, Gr. CW2M / CW12MW	EA	6% Moly S.S.	ASTM A351, Gr. CF-3M
N	Nickel	ASTM A217, Gr. C12 (9% Cr)	FN	Inconel® 625	ASTM A494, Gr. CW-6MC
S	Carbon Steel	ASTM A494, Gr. M-35-1	GC	LCC Low Temp. Steel	ASTM A352, Gr. LCC
		ASTM A494, Gr. CZ-100	SC	WCC Steel	ASTM A216, Gr. WCC
		ASTM A216, Gr. WCB	TT	Titanium	ASTM B367, Gr. C2 or ASTM B384, Gr. 2

Seal*

End Connections

Special Body Configurations

Ordering Letter	Material	Operating Temperature		Ordering Letter	Connections	Designation Number	Configuration
		°C	°F				
A	EPDM	-29 to 149	-20 to 300	F	Serrated raised face	None (Blank)	Wafer Style, inserted between mating flanges with studs spanning entire length
M	Buna-N	-23 to 121	-10 to 250	G	Grayloc® Hub	1 2 3	
N	Neoprene	-12 to 107	+10 to 225	P	Plain Face		Lug design w/threaded holes bolted from each end
†P	Metal	-267 to 537	-450 to 1000+	R	Ring Joint		
U	Refrigeration - Grade Elastomer	-40 to 120	-40 to 250	W	Weld-End	Double flanged design with valve flanges bolted to individual line flanges	
V	Viton-B®	-18 to 204	0 to 400				

* This range of operating temperatures is for general guidance. The range varies with application, body and plate material.

† Metal seals may be furnished as integral or special overlay materials.

® Viton is a registered name of DuPont.

Common Modifications

Number	Material Changes	Note:
-9	Inconel X-750 Springs	Numerous additional modifications may be specified. Please consult factory.
-14	316 S.S. Plate, Pins	
-39	410 S.S. Plate, Pins & Inconel X-750 Springs	
-201	316 S.S. Plate, Pins, Inconel X-750 Springs	
-233	316 S.S. Plate, Pins, Inconel X-750 Springs and 316 S.S. Overlay Seat	
-169	410 S.S. Plate, Pins, Inconel X-750 Springs and 410 S.S. Overlay Seat	
-772	Monel Plate, Pins, Springs, Bearings and Monel Overlay Seat	

Standard trim (Wetted Parts) Materials

Typical Figure No.	Body & Plate	Seal	Hinge Pin	Spring	Stop Pin	Retainer
BMF	Al. Bronze	Buna-N	316 S.S.	316 S.S.	316 S.S.	316 S.S.
CMF	316 Stainless	Buna-N	316 S.S.	316 S.S.	316 S.S.	316 S.S.
CPF	316 Stainless	316 Stainless	316 S.S.	Inconel 600	316 S.S.	316 S.S.
CVF	316 Stainless	Viton-B®	316 S.S.	Inconel 600	316 S.S.	316 S.S.
EPF	410 Stainless	410 Stainless	410 S.S.	Inconel 600	410 S.S.	410 S.S.
SMF	Carbon Steel	Buna-N	316 S.S.	316 S.S.	316 S.S.	Steel
SNF	Carbon Steel	Neoprene	316 S.S.	316 S.S.	316 S.S.	Steel
SPF	Carbon Steel	Carbon Steel	316 S.S.	Inconel 600	316 S.S.	Steel
SVF	Carbon Steel	Viton-B®	316 S.S.	Inconel 600	316 S.S.	Steel

Duo-Chek II Specials



Grayloc® Hub End Valves

Valves with Grayloc ends may be furnished for use with hub end, clamp-style connections. These end connections simplify installation procedures in systems that utilize them. Please contact your sales office for information regarding sizes and pressure ratings available, and other hub end connections such as Spolock, Seaboard Lloyd, etc.



Butt Weld Valves

Valves with butt weld ends may be furnished for piping systems designed for welded system components to eliminate potential joint leak paths. See Ordering Information for proper figure number designation, so that weld-end preparations match the mating pipe schedules.



UL/FM Valves

Underwriters Laboratories, Inc. approve and list the 4", 6", 8", 10" and 12" Figure U12 HMP Duo-Chek II Valves for 250 psi service in fire protection systems.

Valves are Factory Mutual Research Corporation approved.



Lined Valves

Duo-Chek II valves may be furnished with linings, when specified, for abrasion or corrosion resistance. Linings include Natural Rubber, Neoprene, Polyurethane, Armorite, Chlorobutyl and Ebonite. All body surfaces of lined valves are covered with the specified material, eliminating the need for gaskets. Hinge and stop pin holes are encapsulated to seal them against line fluids. Solid alloy valves are recommended for extremely corrosive applications.



Cryogenic Valves

Duo-Chek II valves may be furnished for subatmospheric to cryogenic temperatures (-50°F through -450°F). Special materials of construction such as low temperature alloy steels, austenitic stainless steel, aluminum bronze or monel are generally required.

Coated Valves

A variety of coatings may be provided on request to resist corrosion or abrasion. Some of the commonly specified coatings include epoxies, coal tar derivatives and sacrificial zinc primers. Please discuss your requirements with your sales office.

Other Specials

Other Duo-Chek II specials furnished include:

- Valves to comply with NACE MR-01-75
- Valves cleaned for liquid oxygen (LOX) service
- Valves prepared for Food Service (austenitic stainless steel)
- Special testing for valves, including radiography, magnetic particle, dye penetrant, ultrasonic, helium leak, etc.

Additional Products**Uni-Chek®****Single-Disc Check Valves**

- Sizes 2" – 36"
- ASME Classes 125–300
- Flanged, Plain, or Serrated Ends
- Cast Iron, Carbon Steel, and Stainless Steel
- Variety of external shaft options available

**Noz-Chek®****Nozzle Type Check Valves**

- Sizes 2" – 60"
- ANSI Class 150 – 4500
- API 2000 – 15000
- Flanged, Butt Weld, Clamp Hub Ends
- Ductile Iron, Carbon Steel, Alloy Steel, and Duplex Steels
- Metal to Metal or Bubble Tight Resilient Seats

Contact the Belfast, Northern Ireland Office for Sales and Product Information.

**Compac-Noz®****Nozzle Type Check Valves**

- Sizes 12" – 60"
- ASME Classes 150 – 4500
- API 2000 – 15000
- Flanged, Butt Weld, Clamp Hub Ends
- Ductile Iron, Carbon Steel, Alloy Steel, and Duplex Steels
- Metal to Metal or Bubble Tight Resilient Seats

Contact the Belfast, Northern Ireland Office for Sales and Product Information.



Duo-Chek® II

Conroe, Texas Operations

9860 Johnson Road
Montgomery, Texas 77316
Tel: 936-588-4447
Fax: 936-588-4427

Thomastown, Australia Operations

322 Settlement Road
Thomastown, VIC 3074
Tel: +613-9465-2755
Fax: +613-9466-1365

Global Headquarters

3201 Walnut Avenue
Signal Hill, California 90755
Tel: 562-426-2531
Fax: 562-490-9546

Belfast, Northern Ireland Operations

6 Alexander Road
Cregagh, Belfast BT6 9HJ
Tel: +442-890-704222
Fax: +442-890-401582

www.cranevalve.com

Thinking Globally

CENTER LINE®

Resilient Seated Butterfly and Check Valves
Pneumatic and Electric Actuators

CRANE NUCLEAR, INC.

Valves Designed for Nuclear Service
Diagnostic Valve Repair, Equipment and Services

FLOWSEAL®

High Performance Butterfly Valves

CRANE®

Cast Steel, Bronze, Iron, and Alloy Valves

DUO-CHEK® & UNI-CHEK®

High Performance Wafer Check Valves

JENKINS®

Bronze, Iron, Cast Steel, and Alloy Valves

NOZ-CHEK® & COMPAC-NOZ®

Severe Service Check Valves

ALOYCO®

Corrosion Resistant Gate, Globe, and Check Valves

PACIFIC

High Pressure and Severe Service Valves
Wedgeplug® Non-Lubricated Valves
for Severe Service Applications

CRANE SERVICE CENTERS

Certified OEM Valve Repair Services

CRANE

THE VALVE EXPERTS

Duo-Chek, Uni-Chek, Noz-Chek, Compac-Noz, Crane,
Center Line, Flowseal, Aloyco, Jenkins, Pacific Valves,
and Wedgeplug are trademarks of Crane Co.

©2002 Crane Co.

A Crane Co. Company