

Weco® Fittings and Pup Joints

Weco Fittings

Up to 20,000 psi cold working pressure; 1 to 4-inch bore sizes

Recommended service

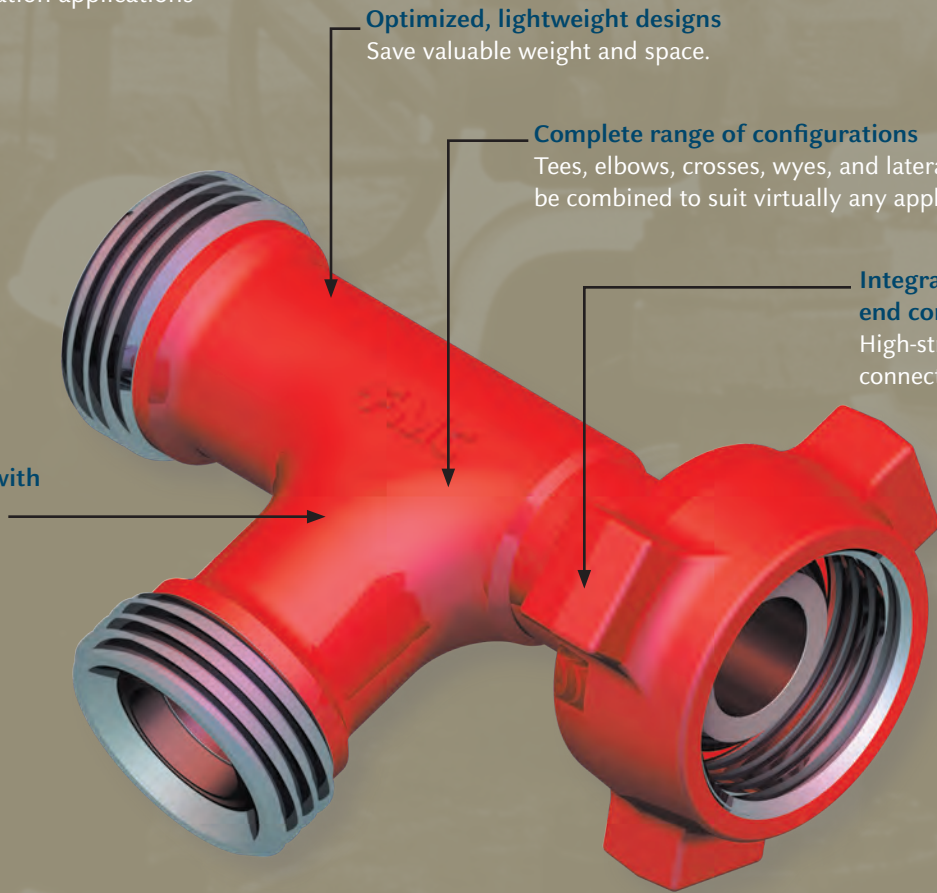
High-pressure well servicing lines, fracturing lines, testing lines, cementing and circulating lines, and other well service and stimulation applications

Optimized, lightweight designs
Save valuable weight and space.

Complete range of configurations
Tees, elbows, crosses, wyes, and laterals can be combined to suit virtually any application.

Integral Weco wing union end connections
High-strength, high integrity connections every time.

Forged construction with full traceability



Weco fittings and pup joints have been optimized for minimum weight and size. These rugged products are ideal for handling a complete range of standard and sour gas well servicing fluids at pressures up to 20,000 psi. Available in 1 to 4-inch sizes, both fittings and pups feature forged construction with integral Weco wing union ends for a high-strength, high-integrity connection every time. Weco pups and fittings come with full material traceability and can be supplied with Charpy impact values. Like all pressure containing products, Weco pups and fittings require special handling (see inside back cover for Warnings and Cautions).

Weco Pup Joints

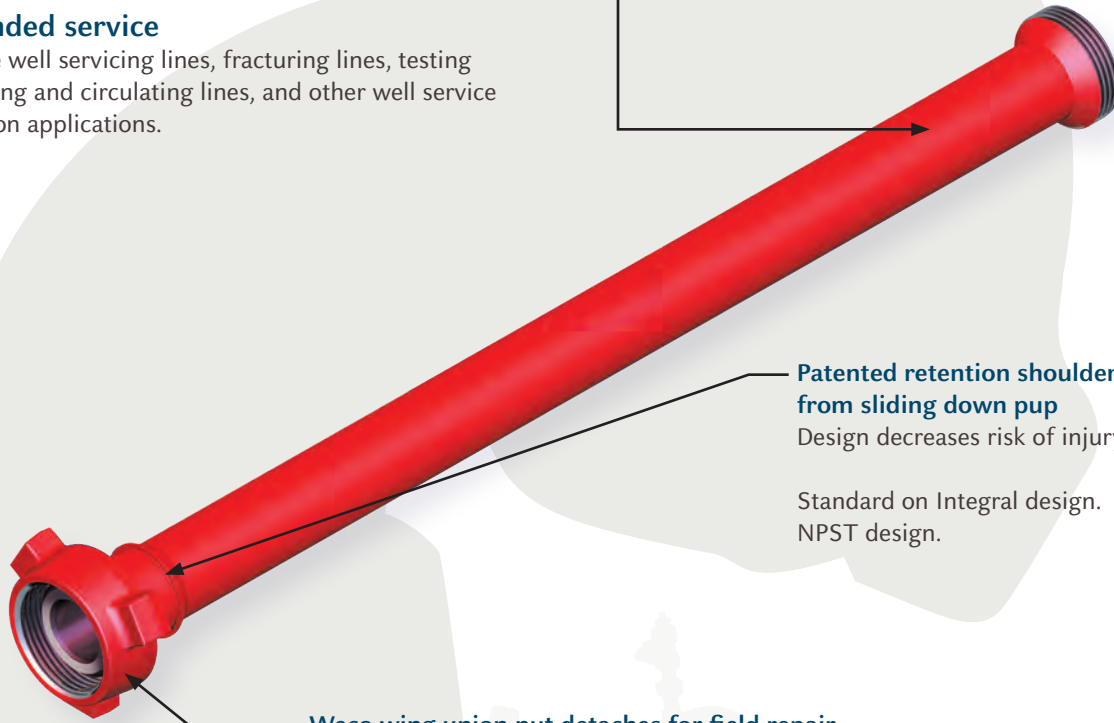
Up to 20,000 psi cold working pressure; 1, 1½, 2, 3, and 4-inch bore sizes, lengths to 20 feet

Recommended service

High-pressure well servicing lines, fracturing lines, testing lines, cementing and circulating lines, and other well service and stimulation applications.

Integral and NPST designs

Available in integral and non pressure seal designs to suit virtually all oilfield applications.



Patented retention shoulder prevents nut from sliding down pup

Design decreases risk of injury to personnel.

Standard on Integral design. Optional on NPST design.

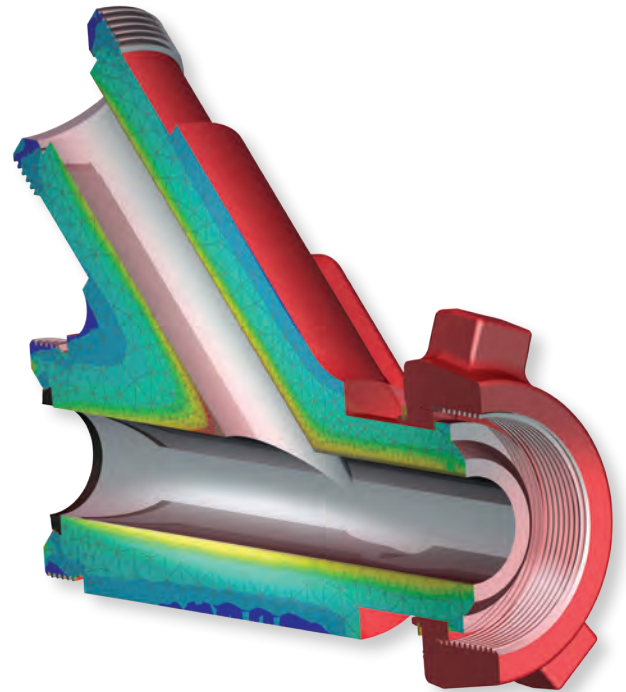
Weco wing union nut detaches for field repair

Permits fast, easy service at the job site.

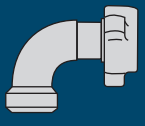
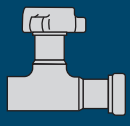
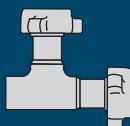
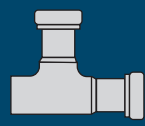

Standard on Integral design. Optional on NPST design.

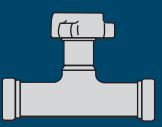
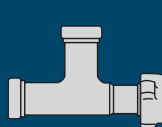
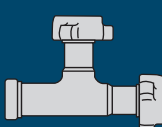
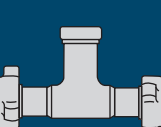
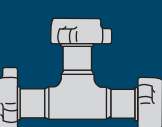
Optimized Forged Fittings

FMC Technologies offers the smallest, lightest integral forged fittings on the market. To minimize the size and weight of each fitting, engineers performed a finite element stress analysis on each fitting body design. From these results, the geometry was optimized for weight, and forgings were developed for each size and type of fitting. The fittings were then subjected to laboratory and field testing. The result: You save weight and space without sacrificing service life or safety.

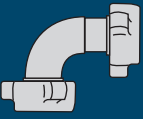
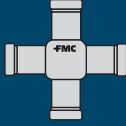
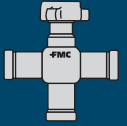

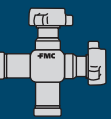


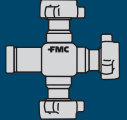
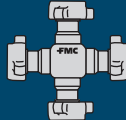
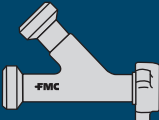
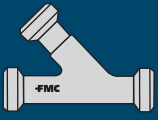

Weco® Integral Fitting Specifications

Nom. Size in.	Weco Wing Union Figure No.	CWP psi (bar)	Longsweep Elbow		Elbows							
												
			P/N P/N-LT	Wt. lb (kg)	P/N P/N-LT	Wt. lb (kg)	P/N P/N-LT	Wt. lb (kg)	P/N P/N-LT	Wt. lb (kg)	P/N P/N-LT	Wt. lb (kg)
1	1502	15,000 (1034)	—	—	P506048 P506048-LT	27 (12.4)	P506053 P506053-LT	CF	P506061 P506061-LT	CF	P506069 P506069-LT	29 (13.2)
1.5	1502	15,000 (1034)	—	—	P506049 P506049-LT	CF	P506054 P506054-LT	CF	P506062 P506062-LT	CF	P506070 P506070-LT	34 (15.4)
2	602	6,000 (414)	3262554	22 (10)	P506050 P506050-LT	27 (12.4)	P506055 P506055-LT	36 (16.3)	P506063 P506063-LT	18 (8.2)	P506071 P506071-LT	26.6 (12)
	1502	15,000 (1034)	3260403	27 (12.6)	P503846 P503846-LT	32 (14.7)	P506056 P506056-LT	41 (18.5)	P506064 P506064-LT	24 (10.9)	P503842 P503842-LT	29 (13.2)
	2002	20,000 (1380)	CF	CF	P506051 P506051-LT	36 (16.3)	P506057 P506057-LT	CF	P506065 P506065-LT	CF	P506072 P506072-LT	32 (14.5)
3	602	6,000 (414)	3259683 3259683-LT	54 (24.5)	3267335 3267335-LT	101 (45.6)	P506058 P506058-LT	115 (52.2)	P506066 P506066-LT	84 (38.1)	P506073 P506073-LT	112 (50.8)
	1502	15,000 (1034)	3259845 3259845-LT	51 (22.9)	3265950 3265950-LT	102 (46.3)	P506059 P506059-LT	121 (54.9)	P506067 P506067-LT	87 (39.5)	3268575 3268575-LT	114 (51.7)
	2002	20,000 (1380)	—	—	P519448 P519448-LT	221 (100)	CF	CF	CF	CF	P524672 P524672-LT	220 (99.8)
4	602	6,000 (414)	P506172 P506172-LT	89 (40.4)	P506052 P506052-LT	CF	P506060 P506060-LT	CF	P506068 P506068-LT	CF	P506075 P506075-LT	99 (44.9)
	1002	10,000 (690)	3261102 3261102-LT	89 (40.4)	3268033 3268033-LT	101 (45.8)	3268115 3268115-LT	105 (47.6)	3268113 3268113-LT	75 (34)	P500631 P500631-LT	101 (45.8)
	1502	15,000 (1034)	—	—	CF	CF	CF	CF	CF	CF	P524677 P524677-LT	200 (90.7)

Nom. Size in.	Weco Wing Union Figure No.	CWP psi (bar)	Tees									
												
			P/N P/N-LT	Wt. lb (kg)	P/N P/N-LT	Wt. lb (kg)	P/N P/N-LT	Wt. lb (kg)	P/N P/N-LT	Wt. lb (kg)	P/N P/N-LT	Wt. lb (kg)
1	1502	15,000 (1034)	P506076 P506076-LT	32 (14.4)	P506083 P506083-LT	32(14.4)	P506087 P506087-LT	35(15.9)	P506093 P506093-LT	35(15.9)	P506100 P506100-LT	38(17.2)
1.5	1502	15,000 (1034)	P506077 P506077-LT	40 (18)	P505457 P505457-LT	40(18)	P506088 P506088-LT	47(21.1)	P506094 P506094-LT	47(21.1)	P506101 P506101-LT	52(23.6)
2	602	6,000 (414)	P506078 P506078-LT	31(14.2)	P506084 P506084-LT	31(14.2)	P506089 P506089-LT	36(16.3)	P506095 P506095-LT	36(16.3)	P506102 P506102-LT	41(18.6)
	1502	15,000 (1034)	P503850 P503850-LT	38(17)	P503840 P503840-LT	38(17)	P503848 P503848-LT	46(20.9)	P505362 P505362-LT	46(20.9)	P505364 P505364-LT	54(24.7)
	2002	20,000 (1380)	P506090 P506090-LT	42(19)	P505584 P505584-LT	42(19)	P506080 P506080-LT	52(23.6)	P506096 P506096-LT	52(23.6)	P506103 P506103-LT	62(28.1)
3	602	6,000 (414)	P506081 P506081-LT	124(56.2)	P506085 P506085-LT	124(56.2)	P506091 P506091-LT	136(61.7)	P506097 P506097-LT	136(61.7)	P506104 P506104-LT	148(67.1)
	1502	15,000 (1034)	3263821 3263821-LT	128(58)	3262298 3262298-LT	128(58)	3265538 3265538-LT	142(64.4)	3265947 3265947-LT	142(64.4)	3268629 3268629-LT	156(70.8)
	2002	20,000 (1380)	P524673 P524673-LT	253(115)	P519451 P519451-LT	253(115)	P524674 P524674-LT	285(129)	P524675 P524675-LT	285(129)	P524676 P524676-LT	318(144)
4	602	6,000 (414)	P506082 P506082-LT	114(51.7)	P506086 P506086-LT	114(51.7)	P506092 P506092-LT	127(57.6)	P506098 P506098-LT	127(57.6)	P506105 P506105-LT	141(64)
	1002	10,000 (690)	P500633 P500633-LT	116(52.6)	3268031 3268031-LT	116(52.6)	P500632 P500632-LT	130(59)	P506099 P506099-LT	130(59)	P506106 P506106-LT	143(64.9)
	1502	15,000 (1034)	P518756 P518756-LT	234(106)	P518790 P518790-LT	234(106)	P524680 P524680-LT	268(122)	P524681 P524681-LT	268(122)	P524682 P524682-LT	302(137)

Weco® Integral Fitting Specifications

Nom. Size in.	Weco Wing Union Figure No.	CWP psi (bar)	Longsweep Elbow		Crosses							
												
			P/N P/N-LT	Wt. lb (kg)	P/N P/N-LT	Wt. lb (kg)	P/N P/N-LT	Wt. lb (kg)	P/N P/N-LT	Wt. lb (kg)	P/N P/N-LT	Wt. lb (kg)
1	1502	15,000 (1034)	—	—	P506107 P506107-LT	CF	P506113 P506113-LT	CF	P506118 P506118-LT	CF	P506129 P506129-LT	CF
1.5	1502	15,000 (1034)	—	—	P503531 P503531-LT	70 (31.8)	3269120 3269120-LT	77 (35)	P506119 P506119-LT	83 (37.6)	P506130 P506130-LT	83 (37.6)
2	602	6,000 (414)	P506171 P506171-LT	27 (12.2)	P506108 P506108-LT	58 (26.3)	P506114 P506114-LT	62 (28.1)	3262655 3262655-LT	67 (30.4)	P506131 P506131-LT	67 (30.4)
	1502	15,000 (1034)	3261768 3261768-LT	34 (15.4)	3257972 3257972-LT	59 (26.8)	3257973 3257973-LT	66 (30)	3258450 3258450-LT	73 (33.1)	3258451 3258451-LT	73 (33.1)
	2002	20,000 (1380)	CF	CF	3267282 3267282-LT	80 (36.3)	P506115 P506115-LT	CF	P506120 P506120-LT	CF	P506132 P506132-LT	CF
3	602	6,000 (414)	P506174 P506174-LT	66 (30)	P506109 P506109-LT	157 (71.2)	P506116 P506116-LT	168 (76.2)	P506121 P506121-LT	180 (81.6)	P506133 P506133-LT	180 (81.6)
	1502	15,000 (1034)	P506175 P506175-LT	65 (29.5)	P506110 P506110-LT	136 (61.7)	P517401 P517401-LT	178 (80.7)	P506122 P506122-LT	183 (83)	P506134 P506134-LT	183 (83)
	2002	20,000 (1380)	—	—	—	—	—	—	—	—	—	—
4	602	6,000 (414)	P506175 P506175-LT	CF	P506111 P506111-LT	144 (65.3)	P504791 P504791-LT	157 (71.2)	P506123 P506123-LT	170 (77.1)	P506135 P506135-LT	170 (77.1)
	1002	10,000 (690)	P506177 P506177-LT	CF	P506112 P506112-LT	144 (65.3)	P506117 P506117-LT	157 (71.2)	P206124 P206124-LT	170 (77.1)	P506136 P506136-LT	170 (77.1)
	1502	15,000 (1034)	—	—	—	—	—	—	—	—	—	—

Nom. Size in.	Weco Wing Union Figure No.	CWP psi (bar)	Crosses				Laterals				Wyes		
													
			P/N P/N-LT	Wt. lb (kg)	P/N P/N-LT	Wt. lb (kg)	P/N P/N-LT	Wt. lb (kg)	P/N P/N-LT	Wt. lb (kg)	P/N P/N-LT	Wt. lb (kg)	
1	1502	15,000 (1034)	P506137 P506137-LT	CF	P506146 P506146-LT	CF	P506154 P506154-LT	58 (26.3)	P506160 P506160-LT	—	—	P506164 P506164-LT	CF
1.5	1502	15,000 (1034)	P506138 P506138-LT	89 (40.4)	P506147 P506147-LT	94 (42.6)	P505434 P505434-LT	62 (27.9)	—	—	—	P506166 P506166-LT	44 (20)
2	602	6,000 (414)	P506139 P506139-LT	72 (32.7)	P506148 P506148-LT	77 (35)	3263029 3263029-LT	48 (21.5)	—	—	—	3262652 3262652-LT	28 (12.7)
	1502	15,000 (1034)	3257976 3257976-LT	80 (36.3)	3257975 3257975-LT	87 (39.5)	3261420 3261420-LT	54 (24.5)	—	—	—	3208846 3208846-LT	27 (12.2)
	2002	20,000 (1380)	P506140 P506140-LT	CF	P506149 P506149-LT	CF	P506156 P506156-LT	CF	—	—	—	3254106 3254106-LT	28 (12.7)
3	602	6,000 (414)	P506141 P506141-LT	192 (87.1)	P506150 P506150-LT	203 (92.1)	CF	CF	CF	CF	—	—	—
	1502	15,000 (1034)	P506142 P506142-LT	197 (89.4)	P506151 P506151-LT	211 (95.7)	3266805 3266805-LT	88 (40.1)	P506161 P506161-LT	90 (40.9)	—	—	—
	2002	20,000 (1380)	—	—	—	—	CF	CF	CF	CF	—	—	—
4	602	6,000 (414)	P506144 P506144-LT	183 (83)	P506152 P506152-LT	197 (89.4)	P506158 P506158-LT	117 (53.1)	CF	CF	—	—	—
	1002	10,000 (690)	P506145 P506145-LT	183 (83)	P506153 P506153-LT	197 (89.4)	P519459 P519459-LT	174 (78.9)	CF	CF	—	—	—
	1502	15,000 (1034)	—	—	—	—	P518757 P518757-LT	310 (141)	CF	CF	—	—	—

Weco® Integral Fitting Specifications

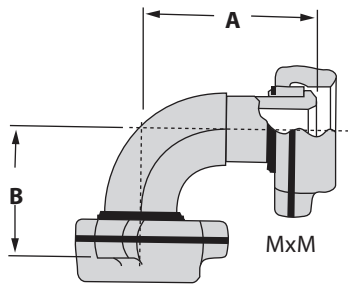
Dimensional Data

Nominal Size in.	Longsweep Elbow				Elbow A in. (mm)
	M x M		M x F		
	A in. (mm)	B in. (mm)	C in. (mm)	D in. (mm)	
1	N/A	N/A	N/A	N/A	6.06 (154)
1.5	N/A	N/A	N/A	N/A	6.06 (154)
2	7.16 (182)	5.13 (130)	7.16 (182)	5.5 (140)	6.06 (154)
3	10 (254)	7.59 (193)	10 (254)	7.94 (202)	8 (203)
4	12.62 (321)	9.69 (246)	12.62 (321)	9.69 (246)	8.2 (208)

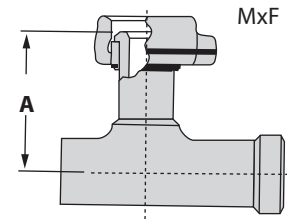
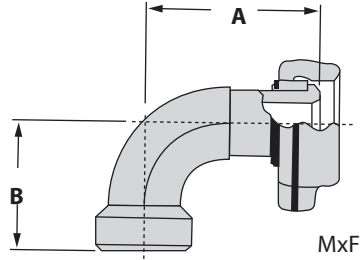
Nominal Size in.	Wyes		Tees		Cross	
	A in. (mm)	B in. (mm)	A in. (mm)	B in. (mm)	A in. (mm)	B in. (mm)
1	5.25 (133)	5 (127)	6.06 (154)	12.12 (308)	7.50 (191)	15 (381)
1.5	5.25 (133)	5 (127)	6.06 (154)	12.12 (308)	7.50 (191)	15 (381)
2	5.25 (133)	5 (127)	6.06 (154)	12.12 (308)	7.50 (191)	15 (381)
3	N/A	N/A	8 (203)	16 (406)	8 (203)	16 (406)
4	N/A	N/A	8.20 (208)	16.40 (417)	8.20 (208)	16.40 (417)

Nominal Size in.	Weco Wing Union End	45° Lateral			60° Lateral		
		A in. (mm)	B in. (mm)	C in. (mm)	A in. (mm)	B in. (mm)	C in. (mm)
1	—	10.50 (267)	15.75 (400)	5.25 (133)	N/A	N/A	N/A
1.5	—	10.50 (267)	15.75 (400)	5.25 (133)	N/A	N/A	N/A
2	—	10.50 (267)	15.75 (400)	5.25 (133)	N/A	N/A	N/A
3	602	N/A	N/A	N/A	8.5 (216)	16 (406)	6.63 (168)
3	1502	N/A	N/A	N/A	8.5 (216)	16 (406)	6.63 (168)
3	2002	15 (381)	20.26 (515)	7.63 (194)	N/A	N/A	N/A
4	602	N/A	N/A	N/A	11.50 (292)	19.50 (495)	8 (203)
4	1002	N/A	N/A	N/A	11.50 (292)	19.50 (495)	8 (203)
4	1502	15 (381)	20.26 (515)	7.63 (194)	N/A	N/A	N/A

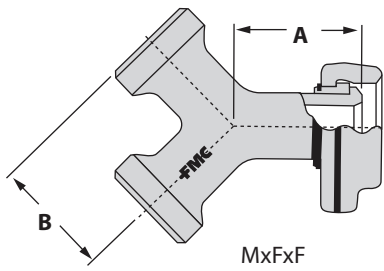
Weco® Integral Fitting Specifications



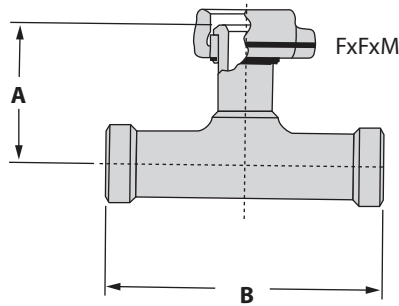
Longsweep Elbows



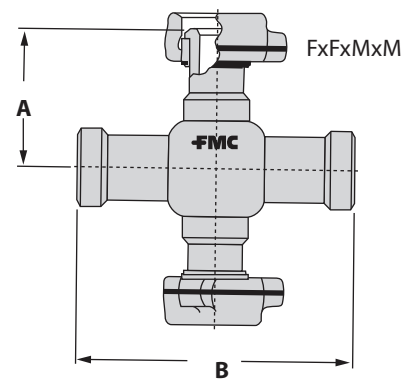
Elbow



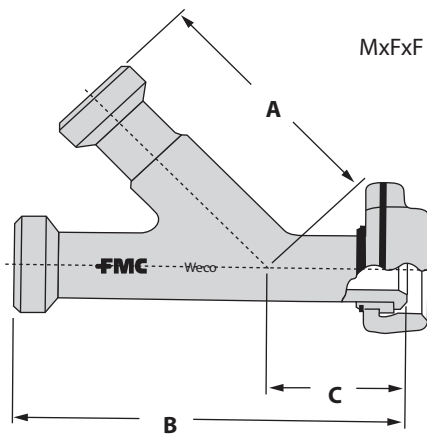
Wye



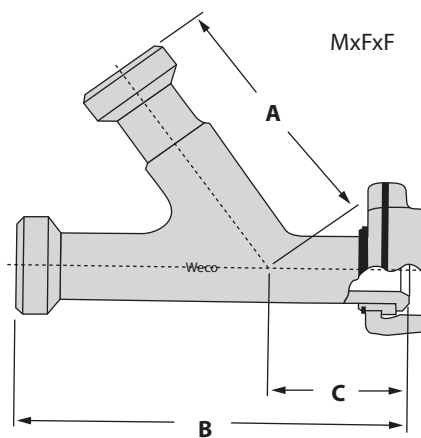
Tee



Cross



45° Lateral



60° Lateral

Weco® Pup Joints Specifications

Integral

Sizes	Weco Union End	CWP psi (bar)	2 ft (610 mm)		3 ft (914 mm)		4 ft (1,219 mm)		5 ft (1,524 mm)		6 ft (1,829 mm)		8 ft (2,438 mm)		10 ft (3,048 mm)	
			P/N P/N-LT	lb (kg)	P/N P/N-LT	lb (kg)	P/N P/N-LT	lb (kg)	P/N P/N-LT	lb (kg)	Part No.	lb (kg)	P/N P/N-LT	lb (kg)	P/N P/N-LT	lb (kg)
1"	1502	15,000 (1034)	3263200 3263200-LT	18 (8.2)	P512501 P512501-LT	25 (11.3)	3262915 3262915-LT	31 (14.1)	3261090 3261090-LT	37 (16.8)	3262229 3262229-LT	43 (19.5)	3266745 3266745-LT	55 (25)	3261496 3261496-LT	67 (30.4)

Integral with Retention Shoulder

Sizes	Weco Union End	CWP psi (bar)	3 ft (914 mm)		4 ft (1,219 mm)		5 ft (1,524 mm)		6 ft (1,829 mm)		8 ft (2,438 mm)		10 ft (3,048 mm)		12 ft (3,658 mm)	
			P/N P/N-LT	lb (kg)	P/N P/N-LT	lb (kg)	P/N P/N-LT	lb (kg)	P/N P/N-LT	lb (kg)	Part No.	lb (kg)	P/N P/N-LT	lb (kg)	P/N P/N-LT	lb (kg)
2"	1502	15,000 (1034)	P516825 P516825-LT	41 (18.6)	P516823 P516823-LT	50 (22.7)	P516821 P516821-LT	58 (26.3)	P516820 P516820-LT	67 (30.4)	P516810 P516810-LT	84 (38.1)	P516485 P516485-LT	101 (45.8)	P516817 P516817-LT	118 (53.5)
3"	1502	15,000 (1034)	P517538 P517538-LT	73 (33.1)	P517582 P517582-LT	91 (41.3)	P517664 P517664-LT	108 (49)	P517672-LT	125 (56.7)	P517674 P517674-LT	160 (72.6)	P517111 P517111-LT	195 (88.5)	CF	
3"	2002	20,000 (1380)	P502323	151 (68.5)	P502324	205 (93)	P519440	257 (117)	P502326	313 (142)	P519441 P519441-LT	365 (166)	P525905 P525905-LT	542 (246)	P502327	583 (264)
4"	1502	15,000 (1034)	CF		P520516 P520516-LT	249 (113)	P518458 P518458-LT	247 (112)	CF		P518450 P518450-LT	371 (168)	P518437 P518437-LT	453 (206)	CF	

NPS Detachable Nut with Retention Shoulder

Sizes	Weco Union End	CWP psi (bar)	2 ft (610 mm)		3 ft (914 mm)		4 ft (1,219 mm)		5 ft (1,524 mm)		6 ft (1,829 mm)	
			P/N P/N-LT	lb (kg)	P/N P/N-LT	lb (kg)	P/N P/N-LT	lb (kg)	P/N P/N-LT	lb (kg)	P/N P/N-LT	lb (kg)
2"	1502	15,000 (1034)	P508589 P508589-LT	32 (14.5)	P508590 P508590-LT	39 (17.7)	P508591 P508591-LT	46 (20.9)	P508592 P508592-LT	53 (24)	P508593 P508593-LT	60 (27.2)
3"	1502	15,000 (1034)	P508600 P508600-LT	56 (25.4)	P508601 P508601-LT	70 (31.8)	P508602 P508602-LT	84 (38.1)	P508603 P508603-LT	99 (44.9)	P508604 P508604-LT	113 (51.3)
4"	602	6,000 (414)	CF		CF		P510406 P510406-LT	101 (45.8)	P510407 P510407-LT	118 (53.5)	P510408 P510408-LT	134 (60.8)
4"	1002	10,000 (690)	P512866 P512866-LT	79 (35.8)	P512867 P512867-LT	98 (45)	P510400 P510400-LT	122 (55.3)	P510401 P510401-LT	143 (64.9)	P510402 P510402-LT	165 (74.8)
4"	1502	15,000 (1034)	P520514 P520514-LT	125 (57)	P520515 P520515-LT	155 (70)	P520520 P520520-LT	36 (83.9)	P520521 P520521-LT	215 (98)	P520522 P520522-LT	245 (111)
Sizes	Weco Union End	CWP psi (bar)	8 ft (2,438 mm)		10 ft (3,048 mm)		12 ft (3,658 mm)		20 ft (6,096 mm)			
			P/N P/N-LT	lb (kg)	P/N P/N-LT	lb (kg)	P/N P/N-LT	lb (kg)	P/N P/N-LT	lb (kg)		
2"	1502	15,000 (1034)	P508594 P508594-LT	73 (33.1)	P508595 P508595-LT	87 (39.5)	P508596 P508596-LT	101 (45.8)	P508598 P508598-LT	156 (70.8)		
3"	1502	15,000 (1034)	P508605 P508605-LT	142 (64.4)	P508606 P508606-LT	170 (77.1)	P508607 P508607-LT	199 (90.3)	P508609 P508609-LT	313 (142)		
4"	602	6,000 (414)	P510409 P510409-LT	167 (75.8)	P510410 P510410-LT	200 (90.7)	P510411 P510411-LT	233 (106)	P512873 P512873-LT	463 (210)		
4"	1002	10,000 (690)	P510403 P510403-LT	207 (93.9)	P510404 P510404-LT	250 (113)	P510405 P510405-LT	293 (133)	P512105 P512105-LT	464 (211)		
4"	1502	15,000 (1034)	P531126 P531126-LT	305 (138)	P513472 P513472-LT	365 (166)	CF		P520526 P520526-LT	665 (302)		

Weco® Pup Joints Specifications

NPS Non-Detachable Nut

Sizes	Weco Union End	CWP psi (bar)	2 ft (610 mm)		3 ft (914 mm)		4 ft (1,219 mm)		5 ft (1,524 mm)		6 ft (1,829 mm)	
			P/N P/N-LT	lb (kg)	P/N P/N-LT	lb (kg)	P/N P/N-LT	lb (kg)	P/N P/N-LT	lb (kg)	P/N P/N-LT	lb (kg)
1"	1502	15,000 (1034)	P515014 P515014-LT	15 (6.8)	3265578 3265578-LT	18 (8.2)	3265579 3265579-LT	21 (9.5)	3265580 3265580-LT	24 (10.9)	3262631 3262631-LT	27 (12.2)
1.5"	1502	15,000 (1034)	3256224 3256224-LT	29 (13.2)	3265598 3265598-LT	35 (15.9)	3254968 3254968-LT	42 (19.1)	3265599 3265599-LT	24 (10.9)	3265600 3265600-LT	55 (24.9)
2"	602	6,000 (414)	CF		P528321 P528321-LT	34 (15)	CF		P528320 P528320-LT	48 (22)	3265733 3265733-LT	45 (20.4)
2"	1502	15,000 (1034)	3255329 3255329-LT	31 (14.1)	3255328 3255328-LT	38 (17.2)	3255522 3255522-LT	45 (20.4)	3255327 3255327-LT	52 (23.6)	3255524 3255524-LT	59 (26.8)
3"	602	6,000 (414)	3268620 3268620-LT	49 (22.2)	3267340 3267340-LT	63 (28.6)	3267722 3267722-LT	78 (35.4)	3267339 3267339-LT	92 (41.7)	P501345	106 (48.1)
3"	1502	15,000 (1034)	3255323 3255323-LT	55 (24.9)	3255322 3255322-LT	69 (31.3)	3255380 3255380-LT	84 (38)	3255321 3255321-LT	98 (44.5)	3255379 3255379-LT	112 (50.8)
4"	602	6,000 (414)	P507216 P507216-LT	62 (28.1)	CF		3251806 3251806-LT	95 (43.1)	6101173 6101173-LT	136 (62)	3251807 3251807-LT	128 (58.1)
4"	1502	10,000 (690)	3265769 3265769-LT	69 (31.3)	P506629 P506629-LT	91 (41.3)	3265771 3265771-LT	112 (50.8)	3265772 3265772-LT	133 (60.3)	3265773 3265773-LT	155 (70.3)
Sizes	Weco Union End	CWP psi (bar)	8 ft (2,438 mm)		10 ft (3,048 mm)		12 ft (3,658 mm)		20 ft (6,096 mm)			
			P/N P/N-LT	lb (kg)	P/N P/N-LT	lb (kg)	P/N P/N-LT	lb (kg)	P/N P/N-LT	lb (kg)		
1"	1502	15,000 (1034)	3256612 3256612-LT	33 (15)	3265583 3265583-LT	21 (9.5)	P504985 P504985-LT	45 (20.4)	CF	45 (20.4)		
1.5"	1502	15,000 (1034)	3254969 3254969-LT	68 (30.8)	3256062 3256062-LT	81 (36.7)	CF		CF			
2"	602	6,000 (414)	CF		P528319 P528319-LT	82 (38)	3265739	80 (36.3)	CF	80 (36.3)		
2"	1502	15,000 (1034)	3255326 3255326-LT	73 (33.1)	3255325 3255325-LT	86 (39)	3255324 3255324-LT	100 (45.4)	3265728 3265728-LT	100 (45.4)		
3"	602	6,000 (414)	P504506 P504506-LT	135 (61.2)	3267338 3267338-LT	163 (73.9)	P501344 P501344-LT	192 (87.1)	CF	192 (87.1)		
3"	1502	15,000 (1034)	3255320 3255320-LT	141 (64)	3255423 3255423-LT	169 (76.7)	3255381 3255381-LT	198 (89.8)	3255427 3255427-LT	198 (89.8)		
4"	602	6,000 (414)	P514350 P514350-LT	161 (73)	3251808 3251808-LT	194 (88)	CF		CF			
4"	1502	10,000 (690)	3265775 3265775-LT	198 (89.8)	3265777 3265777-LT	240 (109)	CF		CF			

NPS Detachable Nut *

Sizes	Weco Union End	CWP psi (bar)	2 ft (610 mm)		3 ft (914 mm)		4 ft (1,219 mm)		5 ft (1,524 mm)	
			P/N P/N-LT	lb (kg)	Part No.	lb (kg)	P/N P/N-LT	lb (kg)	P/N P/N-LT	lb (kg)
2"	1502	15,000 (1034)	3265907	31 (14.1)	P513374 P513374-LT	38 (17.2)	3265908 3265908-LT	45 (20.4)	3265909 3265909-LT	52 (23.6)
3"	1502	15,000 (1034)	3267024 3267024-LT	56 (25.4)	CF		3267025 3267025-LT	84 (38.1)	3267026 3267026-LT	99 (44.9)
4"	602	6,000 (414)	CF		CF		CF		P514712 P514712-LT	112 (50.8)
Sizes	Weco Union End	CWP psi (bar)	6 ft (1,829 mm)		8 ft (2,438 mm)		10 ft (3,048 mm)		12 ft (3,658 mm)	
			P/N P/N-LT	lb (kg)	Part No.	lb (kg)	P/N P/N-LT	lb (kg)	P/N P/N-LT	lb (kg)
2"	1502	15,000 (1034)	P511842 P511842-LT	59 (26.8)	P512102 P512102-LT	73 (33.1)	3265906 3265906-LT	86 (39)	CF	CF
3"	1502	15,000 (1034)	P513301 P513301-LT	113 (51.3)	CF		3267053 3267053-LT	170 (77.1)	CF	
4"	602	6,000 (414)	P514711 P514711-LT	128 (58.1)	P514713 P514713-LT	161 (73)	P514715 P514715-LT	194 (88)	3265739 3265739-LT	80 (36.3)

* 20 ft (6,096 mm) size: consult factory